



PARTS CATALOG

Published

2009/5 (May.)

0CNP4-G47900

Directions for the Parts Catalog.

- 1.The parts stipulated in this Parts Catalog are not necessarily standard equipped parts.
- 2.Parts may change without prior notice.
- 3.The following is an example of the Parts Catalog format.

REF.	LEV.	PARTSNo.	DESCRIPTION	QTY						I	R
				(A)	(B)	(C)	(D)	(E)	(F)		
1		729595-51390	FUEL INJECTION PUMP	1	1	1	1	1	1		
1-1	1	729595-51391	FUEL INJECTION PUMP	1	1	1	1	1	1		N
		(A=E00185) (B=E00200)									
3	2	26022-060162	SCREW M 6X16	9	9	9	9	9	9		
3-1	2	26022-060162	SCREW M 6X16	4	4	4	4	4	4		K
		(A=E00156) (B=E00156) (C=E00156) (D=E00156) (E=E00156)									
4	2	129470-51040	GAMSHIFT	9	9	9	9	9	9		
5	2	122710-51050	BEARING. ROLLER	9	9	9	9	9	9		
6	2	129470-51060	RETAINER	9	9	9	9	9	9		

Remarks
(1) BOOST COMPENSATOR TYPE. OPTIONAL PART. TO E/#00155 (4JH-DT, 4JH-DTZ)

①Ref. No.

The Ref. No. listed may not be in accordance with the illustration Ref. No.

(Ex.) Illustration No. List Ref No.

1 1 (Before change) → 1-1 (After change)

For interchangeable symbols N, R and K, illustrations for new parts may be abbreviated.

②Lev. (Level)

Level indication

The numbers below indicate the level of relativity towards the main part.

1 ---- Main parts (Assembly parts)

2 ---- Sub component included in " 1 ".

3 ---- Sub component included in " 2 ".

Note) Parts that are not for sale are partially illustrated but not listed.

③Change Mark

The "I" indicates parts that were newly changed.

④Interchangeability Mark

When a part change takes place, one of the following interchangeability symbols is indicated beside the part.

Symbol	Interchangeability	Contents note
N	Old $\begin{matrix} \leftarrow \text{Yes} \\ \text{No} \rightarrow \end{matrix}$ New	New Part is interchangeable for Old Part but Old Part is not interchangeable for New Part.
Q	Old $\begin{matrix} \text{No} \leftarrow \\ \text{Yes} \rightarrow \end{matrix}$ New	New Part is not interchangeable for Old Part but Old Part is interchangeable for New Part.
R	Old $\begin{matrix} \leftarrow \text{Yes} \\ \text{Yes} \rightarrow \end{matrix}$ New	New/ Old Parts are both interchangeable.
S	Old $\begin{matrix} \text{No} \leftarrow \\ \text{No} \rightarrow \end{matrix}$ New	New/ Old Parts are both not interchangeable.
W		Part discontinued.
Z		Part newly added.
F		Not interchangeable by a single part but interchangeable together with related parts.
K		Changes only for used parts quantities.

⑤Effective Machine No.

When a part changes, the effective Machine No. will be indicated in the (A)-(F) column.

Product Symbol	Product No.	Product Symbol	Product No.
C	Clutch No. Compressor No.	F	Machine No. (Agricultural Equip.)
D	Drive No.	M	Machine No.
E	Engine No.	Note 1)	Date

Note 1) A date may follow the symbol. (Ex.) 1996.01

Note 2) " XXX " are for parts that could not be predicted or for engine models that could not be identified.

Note 3) (A=E/#00185) is the E/# (Engine Serial Number) for the column (A) model (in this case 4JH-DT) after the parts design change.

⑥Remarks Mark

Figures or alphabets (symbols) are entered in the remarks column.

The comments (remarks) on parts that are indicated at the bottom of the illustration are the same symbols as those stated above.

DEPLOYMENT ENGINE MODEL TABLE

SNOWPLOW			ENGINE	
MODEL	PARTS CATALOG No.	UNIT NO.	MODEL	PARTS CATALOG No.
YSR70H (-S,-CH,-SCH)	0CNP4-G47900	~ F010557	GA210E-S(E)J1	0CNP4-G48200
		F010558 ~	GA210E-AS(E)J1	0CNP5-G22900

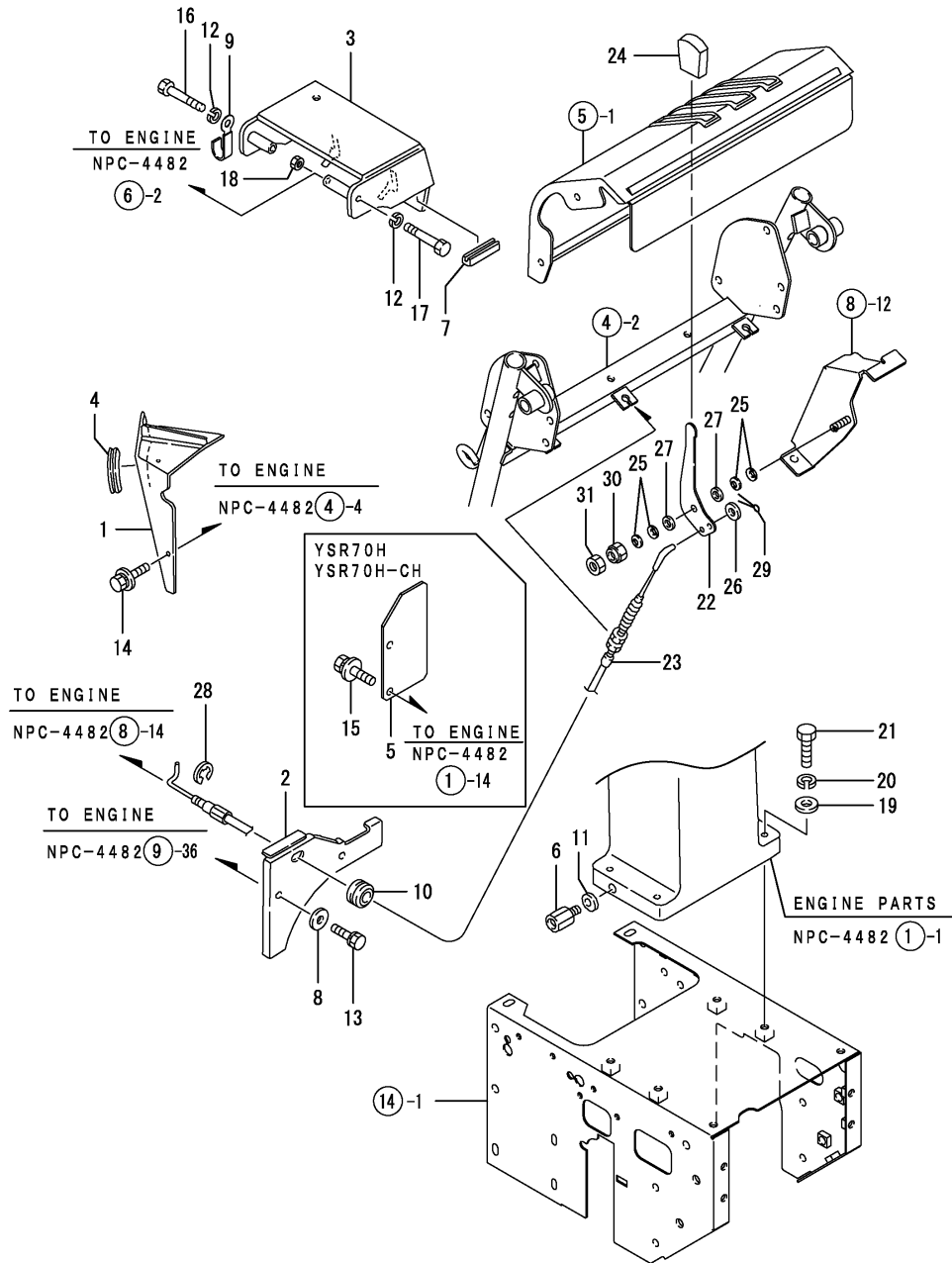
CONTENTS

MODEL : YSR70H
PC NO : 0CNP4-G47900

Fig.No.	GROUP NAME
ENGINE RELATED SECTION	
1.	ENGINE RELATED
DRIVE TRAVEL SECTION	
2.	TENSION CLUTCH
3.	ENGINE PULLEY & BELT
CONTROL SECTION	
4.	HANDLE
5.	CONTROL PANEL
6.	DEAD MAN LEVER
7.	CLUTCH & CLUTCH LOCK
8.	CHANGE LEVER
9.	CHANGE ROD
10.	BYPASS LEVER
11.	CHUTE LEVER
12.	CHUTE HANDLE
13.	LIFTING
CHASSIS,COVER & CRAWLER SECTION	
14.	CHASSIS FRAME
15.	BELT & GEAR COVER
16.	CRAWLER
ELECTRICAL PARTS SECTION	
17.	BATTERY
18.	HARNESS & SWITCH
19.	LAMP

Fig.No.	GROUP NAME
SNOW REMOVING SECTION	
20.	SNOW REMOVING FRAME
21.	AUGER COVER
22.	CHUTE
23.	GEAR CASE
24.	AUGER & BLOWER
LABELS & ACCESSORIES SECTION	
25.	LABELS
26.	LABELS (SAFETY)
27.	TOOLS & ACCESSORIES
TRANSMISSION SECTION	
28.	TRANSMISSION

Fig.1. ENGINE RELATED



(A)=YSR70H(-CH)
 (B)=YSR70H-S(CH)
 (C)=

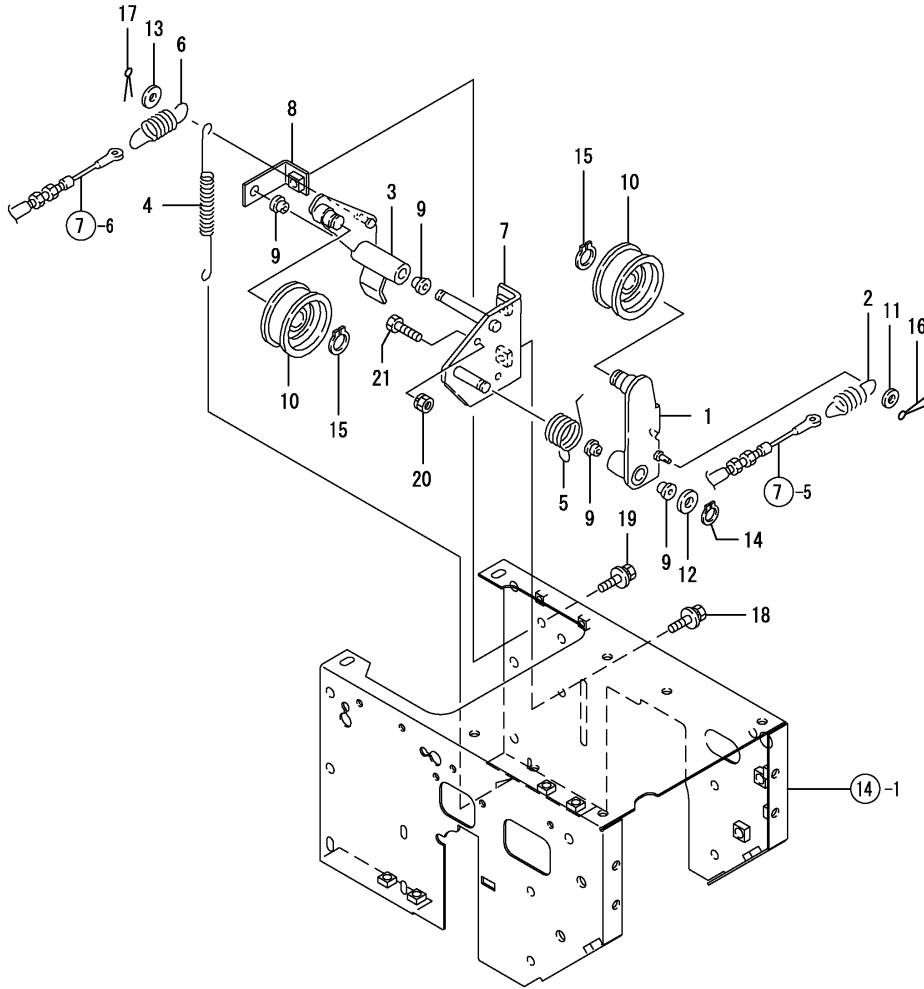
(D)=
 (E)=
 (F)=

REF.	LEV.	PARTS NO.	DESCRIPTION	QTY						I	R
				(A)	(B)	(C)	(D)	(E)	(F)		
1	1	1N1713-00040-1	COVER B COMP.,AUX.	1	1						
2	1	1N1713-00080-1	COVER A COMP.,AUX.	1	1						
3	1	1N3330-00100-1	COVER,BRACKET	1	1						
4	1	1N1713-00170	MOLDINGS 55	1	1						
5	1	1N3360-00200-1	PLATE,PULLEY GUARD	1							
6	1	1N3021-00250	JOINT,WASTE OIL	1	1						
7	1	1S9050-01430	EDGE RUBBER 50	1	1						
8	1	1J3999-02010	WASHER, 6	2	2						
9	1	1N1710-32600	CLAMP 8X70	1	1						
10	1	194080-58820	GROMMET 15	1	1						
11	1	22190-120000	SEAL WASHER 12(BOLT)	1	1						
12	1	22217-060000	SPRING WASHER 6	2	2						
13	1	26016-060204	BOLT, 6 X 20	2	2						
14	1	26018-060124	BOLT, 6 X 12	2	2						
15	1	26018-080164	BOLT, 8 X 16	2							
16	1	26116-060502	BOLT M 6X 50 PLATED	1	1						
17	1	26116-060552	BOLT M 6X 55 PLATED	1	1						
18	1	26717-060002	NUT, 6	2							
19	1	22137-080000	WASHER 8, POLISHED	4	4						
20	1	22217-080000	SPRING WASHER 8	4	4						
21	1	26116-080352	BOLT M 8X 35	4	4						
22	1	1N3390-02100-1	LEVER,ACCEL	1	1						
23	1	1N3310-02150	WIRE ASSY, THROTTLE	1	1						
24	1	194273-47910	KNOB	1	1						
25	1	1N1570-51130	SPRING,BELLEVILLE	4	4						
26	1	22117-060000	WASHER 6	1	1						
27	1	22137-080000	WASHER 8, POLISHED	2	2						
28	1	22272-000050	CIRCLIP E- 5	1	1						
29	1	22417-200100	PIN, 2.0 X 10	1	1						
30	1	26347-080002	U-NUT, 8	1	1						
31	1	26717-080002	NUT, 8	1	1						

Fig.2. TENSION CLUTCH

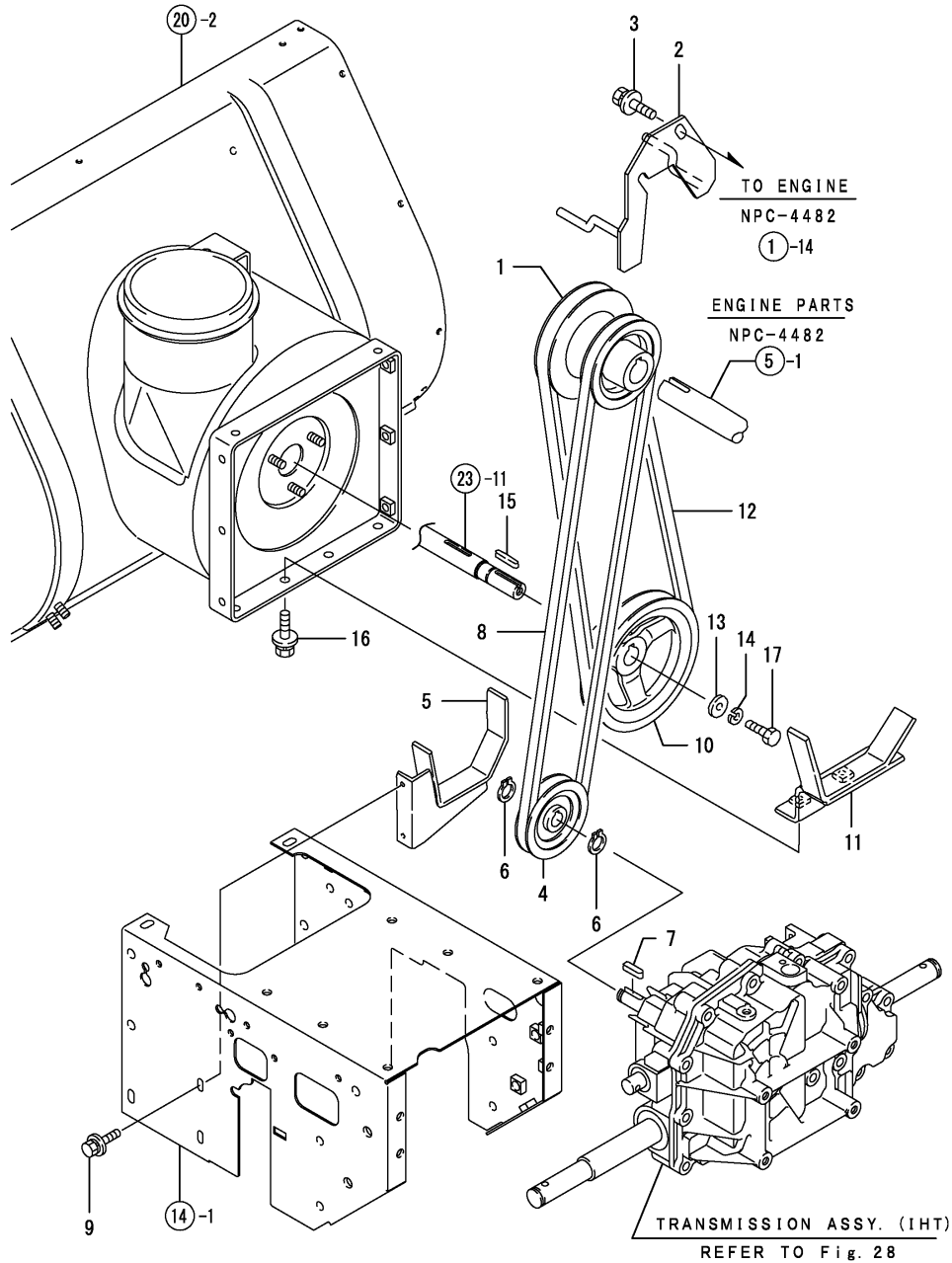
(A)=YSR70H(-CH)
 (B)=YSR70H-S(CH)
 (C)=

(D)=
 (E)=
 (F)=



REF.	LEV.	PARTS NO.	DESCRIPTION	Q'TY						I	R
				(A)	(B)	(C)	(D)	(E)	(F)		
1	1	1N3335-11000-1	TENSION,TRAVEL	1	1						
2	1	1N3335-11080	SPRING	1	1						
3	1	1N3335-11100-1	TENSION,SNOW REMOVE	1	1						
4	1	1N3330-11250	SPRING	1	1						
5	1	1N3021-11260	SPRING 26,TORSION	1	1						
6	1	1N3300-11260	SPRING 17.5X60.5	1	1						
7	1	1N3335-11300-1	FULCRUM,TENSION	1	1						
8	1	1N3335-11400-1	CATCH,TENSION FULCRU	1	1						
9	1	1N3021-31580	BUSH 10X15,FLANGED	4	4						
10	1	1E7030-51301-1	ROLLER ASSY, TENSION	2	2						
11	1	22137-060000	WASHER 6, POLISHED	1	1						
12	1	22137-100000	WASHER 10,POLISHED	1	1						
13	1	22157-060000	WASHER 6	1	1						
14	1	22242-000100	CIRCLIP 10	1	1						
15	1	22242-000150	CIRCLIP 15	2	2						
16	1	22417-160100	PIN, 1.6 X 10	1	1						
17	1	22417-160100	PIN, 1.6 X 10	1	1						
18	1	26018-080162	BOLT M 8X 16	2	2						
19	1	26018-080162	BOLT M 8X 16	1	1						
20	1	26051-060002	NUT M 6	1	1						
21	1	26116-060304	BOLT M 6X 30 PLATED	1	1						

Fig.3. ENGINE PULLEY & BELT



0CNP4-G47900 3. ENGINE PULLEY & BELT

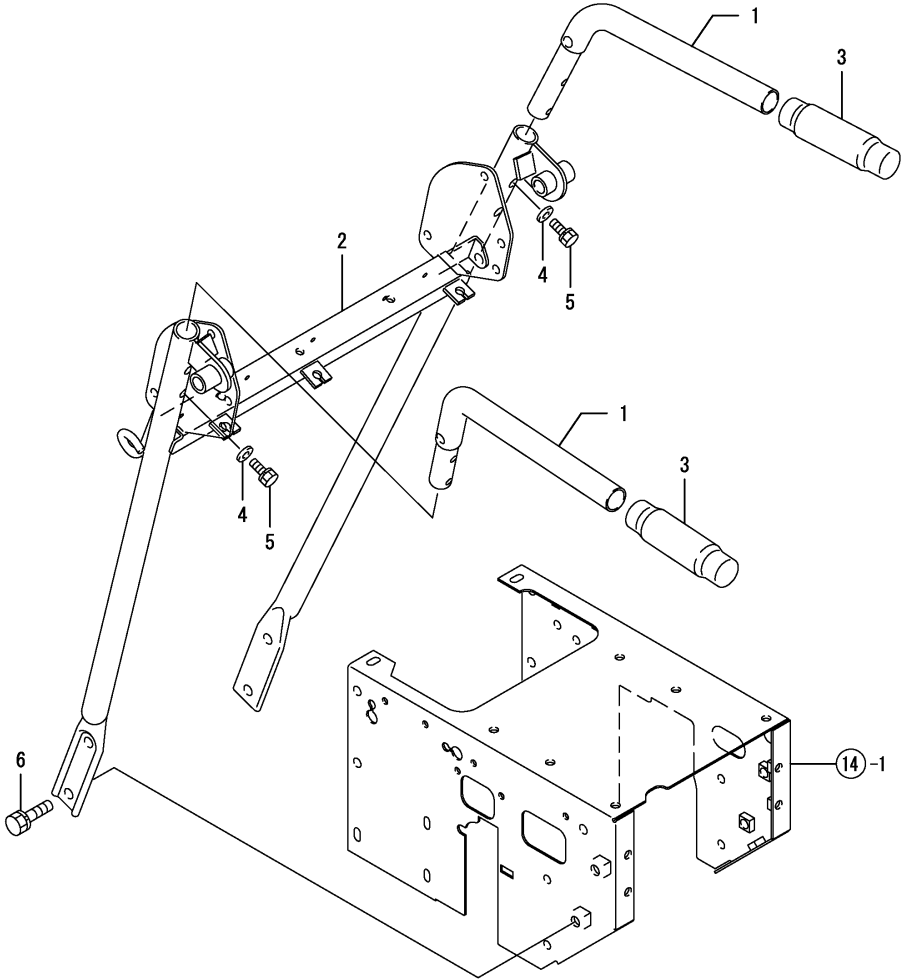
(A)=YSR70H(-CH)
 (B)=YSR70H-S(CH)
 (C)=

(D)=
 (E)=
 (F)=

REF.	LEV.	PARTS NO.	DESCRIPTION	QTY						I	R
				(A)	(B)	(C)	(D)	(E)	(F)		
1	1	1N3335-12000-1	PULLEY,ENGINE	1	1						
2	1	1N3335-12101-1	RETAINER,BELT	1	1						
3	1	26018-080162	BOLT M 8X 16	2	2						
4	1	1N3021-12020-1	PULLEY 85A	1	1						
5	1	1N3021-12300-1	GUIDE B,BELT	1	1						
6	1	22242-000150	CIRCLIP 15	2	2						
7	1	22550-050201	KEY 5X20	1	1						
8	1	25122-002701	V-BELT	1	1						
9	1	26018-060164	BOLT, 6 X 16	2	2						
10	1	1N3300-12010-1	PULLEY 133B	1	1						
11	1	1N3335-12200-1	BELT GUIDE	1	1						
12	1	1N3330-12300	V-BELT	1	1						
13	1	22157-080000	WASHER 8	1	1						
14	1	22217-080000	SPRING WASHER 8	1	1						
15	1	22550-050300	KEY, 5 X 30	1	1						
16	1	26018-080162	BOLT M 8X 16	2	2						
17	1	26116-080252	BOLT M 8X 25 PLATED	1	1						

Fig.4. HANDLE

0CNP4-G47900 4. HANDLE



(A)=YSR70H(-CH)
 (B)=YSR70H-S(CH)
 (C)=

(D)=
 (E)=
 (F)=

REF.	LEV.	PARTS NO.	DESCRIPTION	Q'TY						I	R
				(A)	(B)	(C)	(D)	(E)	(F)		
1	1	1N3390-30000-1	HANDLE	2	2						
2	1	1N3400-30100	FRAME,HANDLE	1	1						
3	1	1N1710-82140	GRIP BK-8,HANDLE	2	2						
4	1	22137-080000	WASHER 8, POLISHED	4	4						
5	1	26016-080162	BOLT M 8X 16	4	4						
6	1	26016-100202	BOLT	4	4						

Fig.5. CONTROL PANEL

0CNP4-G47900 5. CONTROL PANEL

(A)=YSR70H(-CH)
 (B)=YSR70H-S(CH)
 (C)=

(D)=
 (E)=
 (F)=

REF.	LEV.	PARTS NO.	DESCRIPTION	Q'TY						I	R
				(A)	(B)	(C)	(D)	(E)	(F)		
1	1	7N3405-30290-1	PL.ASSY,OPERAT.PANEL	1	1						
2	1	22157-060000	WASHER 6	1	1						
3	1	26016-060162	BOLT M 6X 16	1	1						
4	1	26018-060124	BOLT, 6 X 12	3	3						

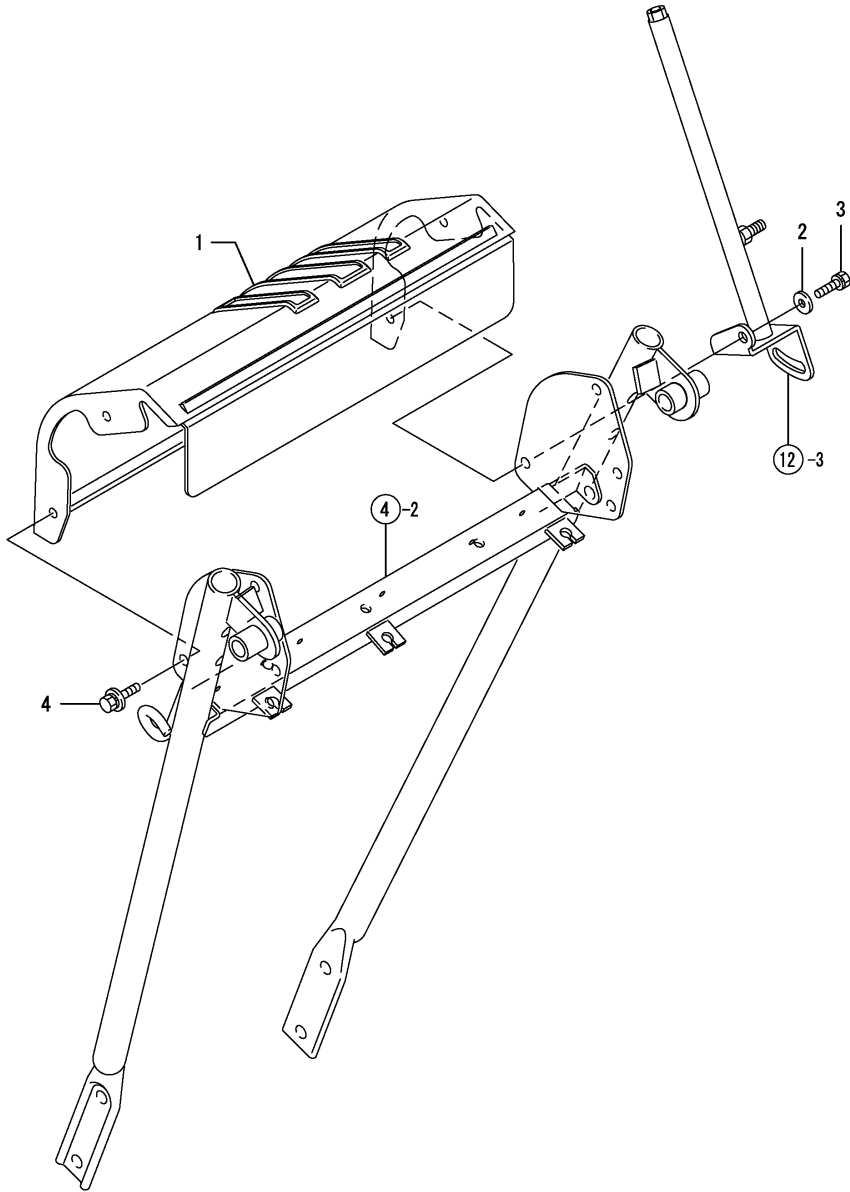
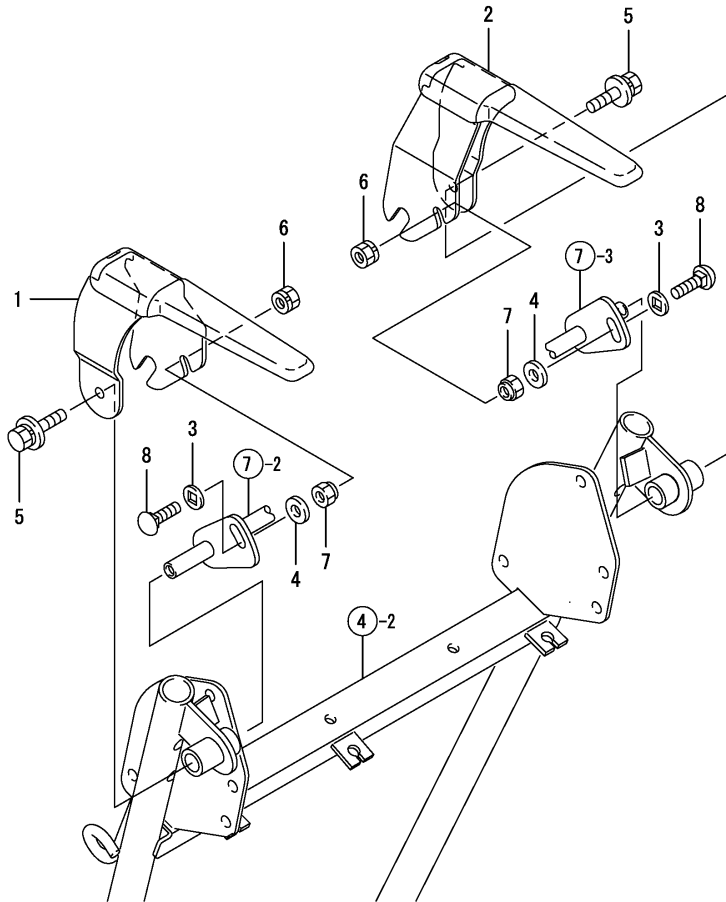


Fig.6. DEAD MAN LEVER



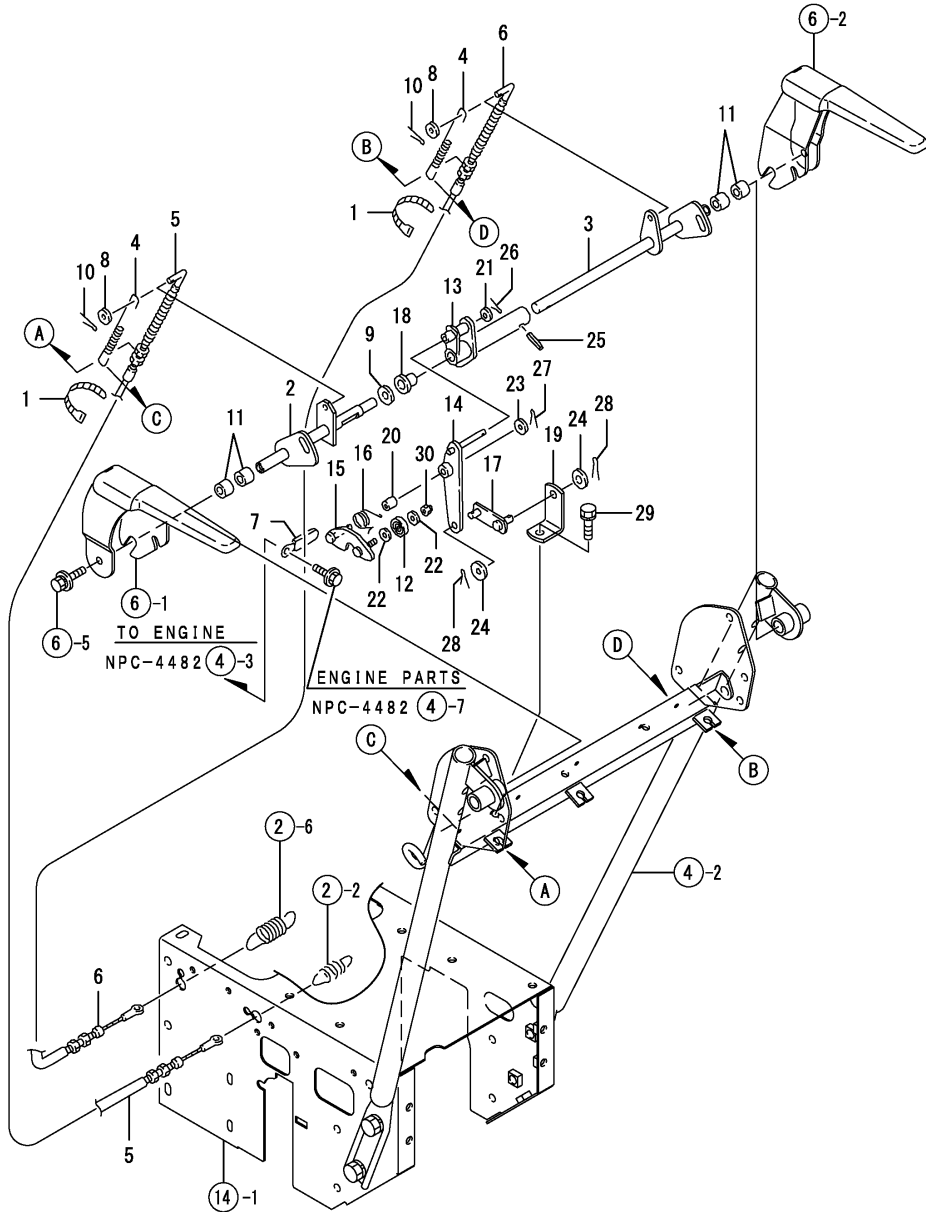
0CNP4-G47900 6. DEAD MAN LEVER

(A)=YSR70H(-CH)
 (B)=YSR70H-S(CH)
 (C)=

(D)=
 (E)=
 (F)=

REF.	LEV.	PARTS NO.	DESCRIPTION	QTY						I	R	
				(A)	(B)	(C)	(D)	(E)	(F)			
1	1	1N3390-31000-1	LEVER, DEAD MAN L	1	1							
2	1	1N3390-31050-1	LEVER, DEAD MAN R	1	1							
3	1	1N3320-71290	WASHER	2	2							
4	1	22137-080000	WASHER 8, POLISHED	2	2							
5	1	26018-080164	BOLT, 8 X 16	2	2							
6	1	26051-080002	NUT M 8	2	2							
7	1	26347-080002	U-NUT, 8	2	2							
8	1	26487-080252	BOLT 8X25,SQ.ROOT	2	2							

Fig.7. CLUTCH & CLUTCH LOCK



(A)=YSR70H(-CH)
 (B)=YSR70H-S(CH)
 (C)=

(D)=
 (E)=
 (F)=

REF.	LEV.	PARTS NO.	DESCRIPTION	QTY						I	R
				(A)	(B)	(C)	(D)	(E)	(F)		
1	1	1J3999-07000	BAND 100B	3	3						
2	1	1N3370-31200	SHAFT,TRAVEL CLUTCH	1	1						
3	1	1N3370-31300	SHAFT,SNOW RMV.CLTCH	1	1						
4	1	1N3370-31450	SPRING, 9X145	2	2						
5	1	1N3370-31601	WIRE ASSY, TRAVEL	1	1						
6	1	1N3331-31650	WIRE, WORK	1	1						
7	1	1N1710-32600	CLAMP 8X70	1	1						
8	1	22117-060000	WASHER 6	2	2						
9	1	22117-100000	WASHER 10	1	1						
10	1	22417-200100	PIN, 2.0 X 10	2	2						
11	1	24550-012150	BUSH 12X15	4	4						
12	1	1J3999-06000	BEARING 626-2NSL	1	1						
13	1	1N3330-31350	ARMCLUTCH LOCK SHAFT	1	1						
14	1	1N3300-31400	CATCH,LOCK CLAW	1	1						
15	1	1N3021-31451	CLAW,CLUTCH LOCK	1	1						
16	1	1N3021-31480	SPRING,LOCK CLAW	1	1						
17	1	1N3300-31500	GUIDE,LOCK CLAW	1	1						
18	1	1N3021-31580	BUSH 10X15,FLANGED	1	1						
19	1	1N3370-31700-1	SEAT, LOCK CLAW	1	1						
20	1	1C1011-45020	BUSH 6X8X10	1	1						
21	1	22117-060000	WASHER 6	1	1						
22	1	22117-060000	WASHER 6	2	2						
23	1	22117-060000	WASHER 6	1	1						
24	1	22117-080000	WASHER 8	2	2						
25	1	22351-050020	SPRING PIN 5X20	1	1						
26	1	22417-160100	PIN, 1.6 X 10	1	1						
27	1	22417-160100	PIN, 1.6 X 10	1	1						
28	1	22417-200160	COTTER PIN 2.0X16	2	2						
29	1	26016-080164	BOLT, 8 X 16	1	1						
30	1	26347-060002	U-NUT, 6	1	1						

Fig.8. CHANGE LEVER

(A)=YSR70H(-CH)
 (B)=YSR70H-S(CH)
 (C)=

(D)=
 (E)=
 (F)=

REF.	LEV.	PARTS NO.	DESCRIPTION	QTY						I	R
				(A)	(B)	(C)	(D)	(E)	(F)		
1	1	1N3360-32000	CHANGE LEVER	1	1						
2	1	1N3335-32050	ARM, CHANGE	1	1						
3	1	1N3330-32090	FRICTION PLATE	2	2						
4	1	1N3335-32090-1	SPRING,CHANGE LEVER	1	1						
5	1	1N1723-32350	LOCK WASHER	1	1						
6	1	1C6320-64680	SPRING 14,BELLEVILLE	2	2						
7	1	1E6570-64760	GRIP 12,CHANGE LEVER	1	1						
8	1	24550-014100	BUSH 14X10	1	1						
9	1	26051-080002	NUT M 8	3	3						
10	1	26737-140002	NUT, 14	2	2						
11	1	1N3390-32100	FULCRUM, LEVER	1	1						
12	1	1N3370-32400-1	CATCH, FULCRUM	1	1						
13	1	26016-080164	BOLT, 8 X 16	1	1						
14	1	26018-060162	BOLT M6X16	1	1						
15	1	26018-080164	BOLT, 8 X 16	1	1						

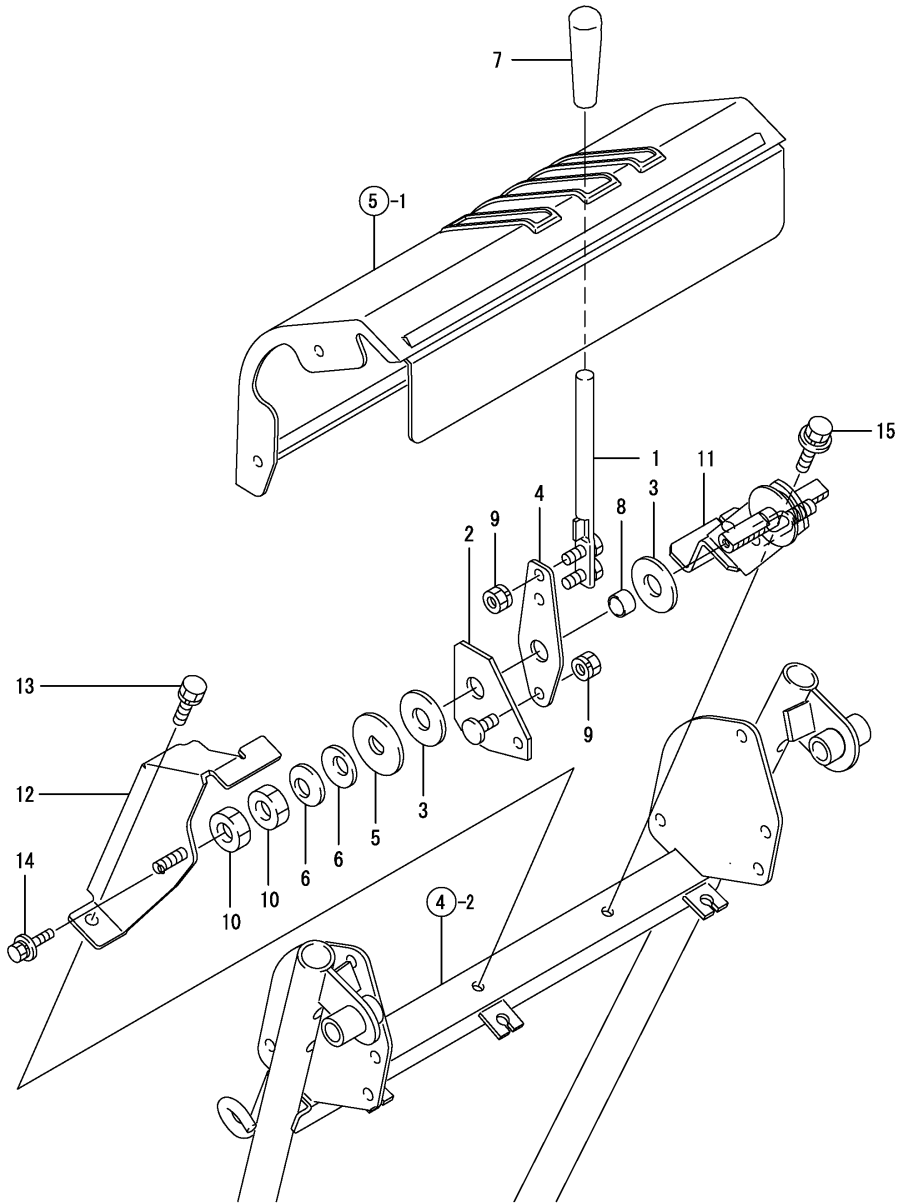
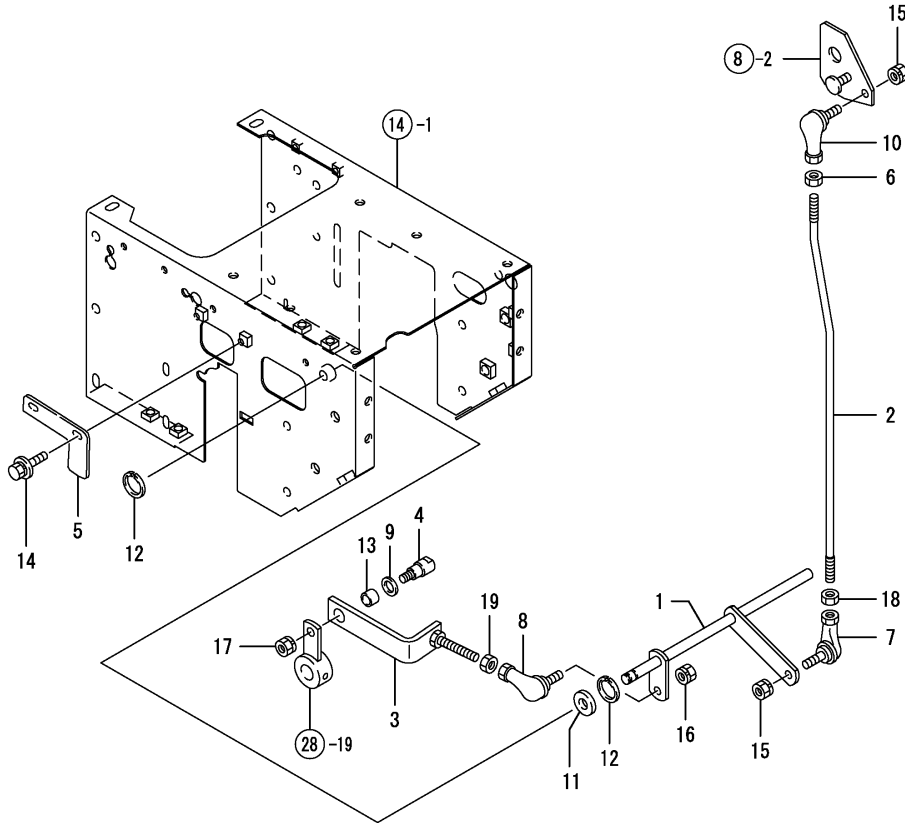


Fig.9. CHANGE ROD

0CNP4-G47900 9. CHANGE ROD

(A)=YSR70H(-CH)
 (B)=YSR70H-S(CH)
 (C)=

(D)=
 (E)=
 (F)=

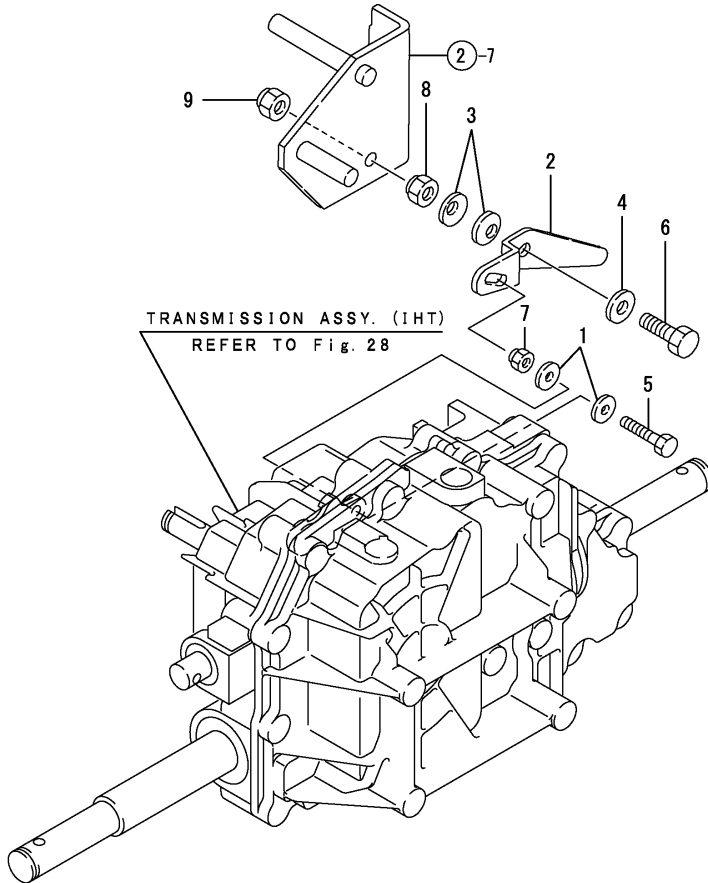


REF.	LEV.	PARTS NO.	DESCRIPTION	Q'TY						I	R
				(A)	(B)	(C)	(D)	(E)	(F)		
1	1	1N3335-32200	CHANG COUNTER	1	1						
2	1	1N3370-32200	ROD,CHANGE LEVER	1	1						
3	1	1N3370-32300-1	PLATE, CHANGE	1	1						
4	1	1N3335-32350	PIN,CHANGE STOPPER	1	1						
5	1	1N3021-32381-1	STOPPER,CHANGE	1	1						
6	1	1N1570-32950	NUT 8	1	1						
7	1	1E4760-43090	BALL RBL8,LINK	1	1						
8	1	1E4760-43090	BALL RBL8,LINK	1	1						
9	1	1S6240-61430	LINER 12X19X1	1	1						
10	1	1E6740-64200	BALL BL8DL, LINK	1	1						
11	1	22137-100000	WASHER 10,POLISHED	1	1						
12	1	22292-000100	CIRCLIP S10	2	2						
13	1	24550-012060	BUSH 12X 6	1	1						
14	1	26018-060124	BOLT, 6 X 12	2	2						
15	1	26051-080002	NUT M 8	2	2						
16	1	26051-080002	NUT M 8	1	1						
17	1	26051-080002	NUT M 8	1	1						
18	1	26717-080002	NUT, 8	1	1						
19	1	26717-080002	NUT, 8	1	1						

Fig.10. BYPASS LEVER

(A)=YSR70H(-CH)
 (B)=YSR70H-S(CH)
 (C)=

(D)=
 (E)=
 (F)=



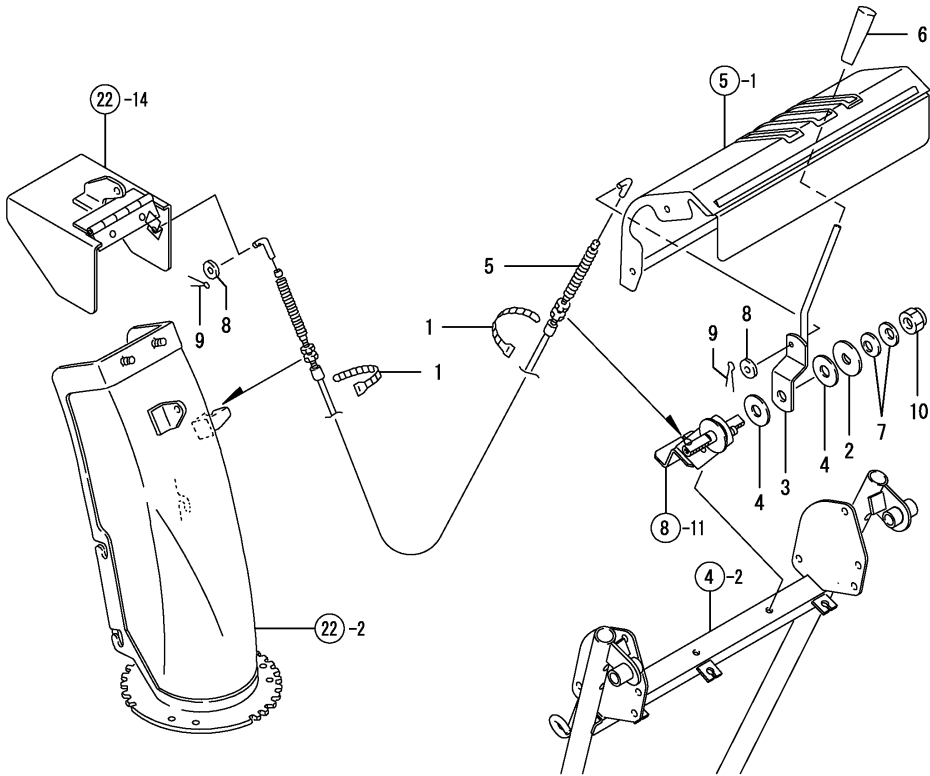
REF.	LEV.	PARTS NO.	DESCRIPTION	QTY						I	R
				(A)	(B)	(C)	(D)	(E)	(F)		
1	1	1J3999-02010	WASHER, 6	2	2						
2	1	1N3021-33601	LEVER,BYPASS VALVE	1	1						
3	1	1C6560-92610	SPRING 8,BELLEVILLE	2	2						
4	1	22137-080000	WASHER 8, POLISHED	1	1						
5	1	26117-060304	BOLT, 6 X 30	1	1						
6	1	26117-080252	BOLT, 8 X 25	1	1						
7	1	26347-060002	U-NUT, 6	1	1						
8	1	26347-080002	U-NUT, 8	1	1						
9	1	26347-080002	U-NUT, 8	1	1						

Fig.11. CHUTE LEVER

OCNP4-G47900 11. CHUTE LEVER

(A)=YSR70H(-CH)
 (B)=YSR70H-S(CH)
 (C)=

(D)=
 (E)=
 (F)=

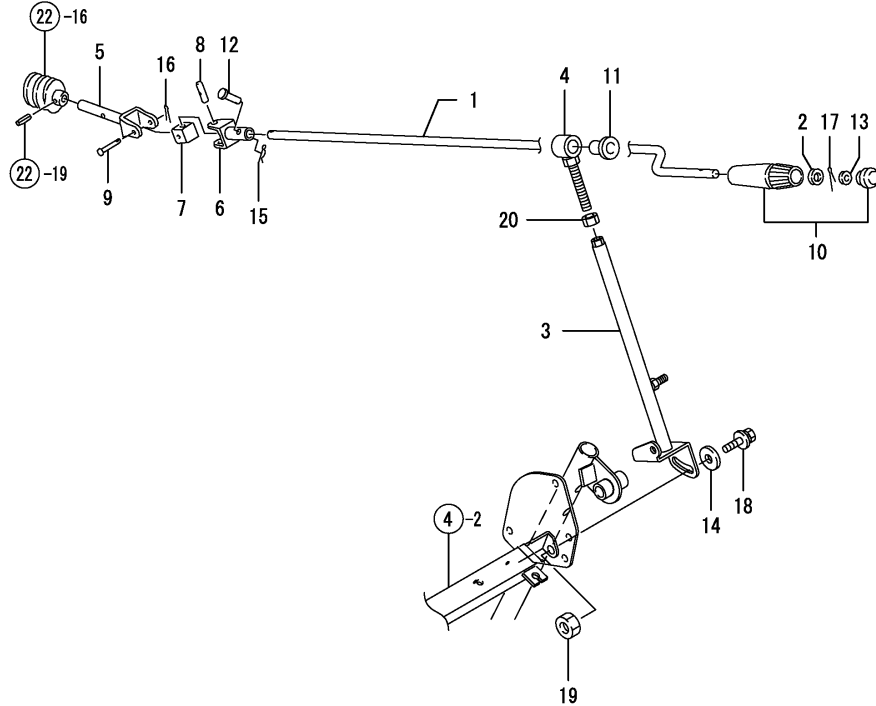


REF.	LEV.	PARTS NO.	DESCRIPTION	QTY						I	R
				(A)	(B)	(C)	(D)	(E)	(F)		
1	1	1J3999-07000	BAND 100B	2	2						
2	1	1N1723-32350	LOCK WASHER	1	1						
3	1	1N3370-34000	LEVER, CHUTE	1	1						
4	1	1N3331-34050	PLATE, FRICTION	2	2						
5	1	1N3300-34201	WIRE COMP.,SHOOT	1	1						
6	1	1A1140-58050	GRIP, STAND	1	1						
7	1	1C6320-64680	SPRING 14,BELLEVILLE	2	2						
8	1	22117-060000	WASHER 6	2	2						
9	1	22417-200100	PIN, 2.0 X 10	2	2						
10	1	26357-140002	U-NUT M14	1	1						

Fig.12. CHUTE HANDLE

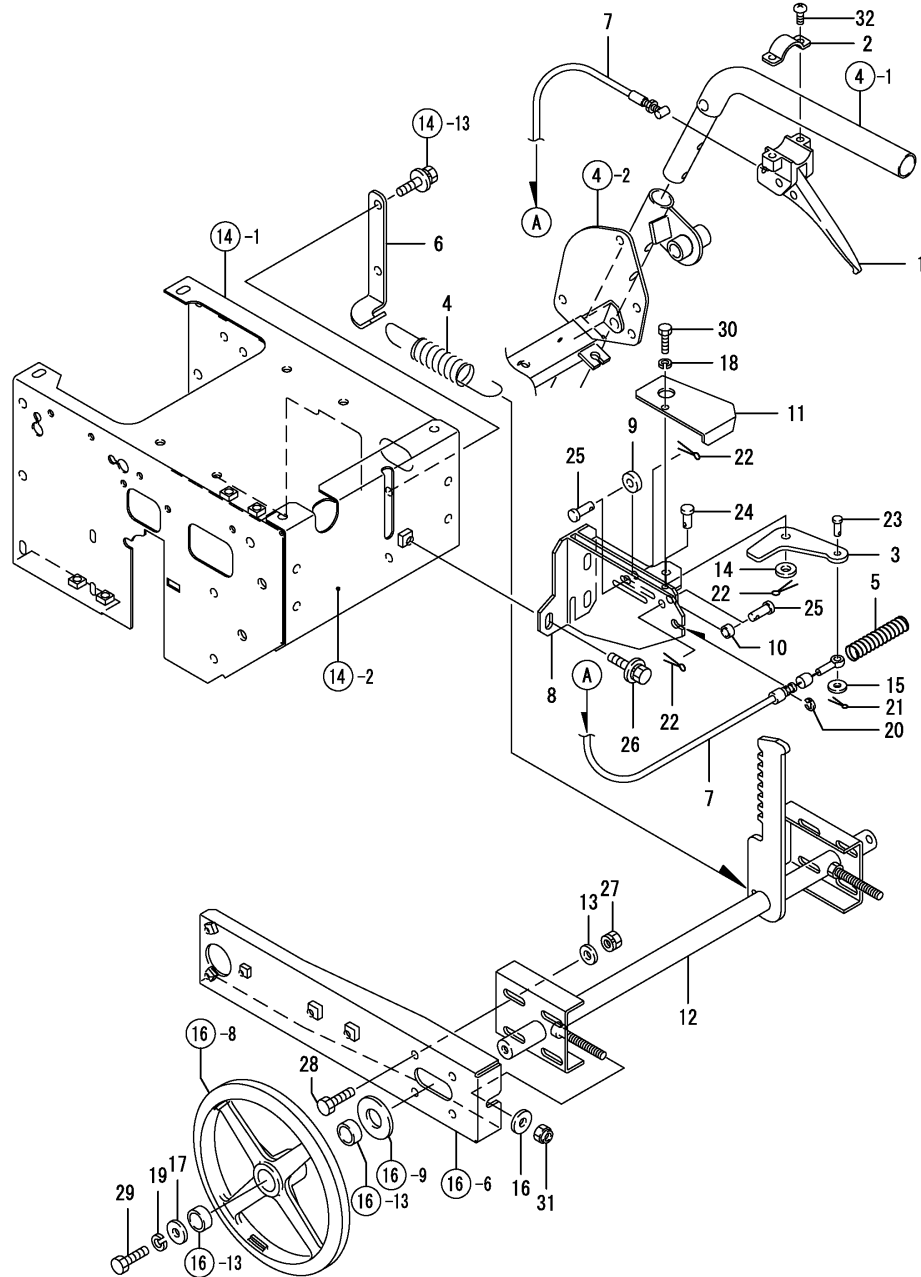
(A)=YSR70H(-CH)
 (B)=YSR70H-S(CH)
 (C)=

(D)=
 (E)=
 (F)=



REF.	LEV.	PARTS NO.	DESCRIPTION	Q'TY						I	R
				(A)	(B)	(C)	(D)	(E)	(F)		
1	1	1N3390-34350	HANDLE, CHUTE	1	1						
2	1	1N3021-34390	SPACER 10X14X1	1	1						
3	1	1N3390-34500	STAY,CHUTE HANDLE	1	1						
4	1	1N3390-34530	SUPPORT,HANDLE	1	1						
5	1	1N3390-34600	ROD,CONNECTION	1	1						
6	1	1N3330-34651	JOINT, CONNECTING	1	1						
7	1	1N3330-34700	JOINT FULCRUM	1	1						
8	1	1N3021-34710	JOINT FULCRUM,PIN 8	1	1						
9	1	1N3021-34720	RIVET 4X27.5	1	1						
10	1	1N1711-35520	GRIP,SHOOT	1	1						
11	1	1F5300-43300	BUSH, 1015	1	1						
12	1	1N3260-73250	RIVET 4X19.5	1	1						
13	1	22137-060000	WASHER 6, POLISHED	1	1						
14	1	22137-080000	WASHER 8, POLISHED	1	1						
15	1	22372-040000	SNAP PIN 4	1	1						
16	1	22417-200100	PIN, 2.0 X 10	1	1						
17	1	22417-200160	COTTER PIN 2.0X16	1	1						
18	1	26018-080204	BOLT, 8 X 20	1	1						
19	1	26717-080002	NUT, 8	1	1						
20	1	26717-080002	NUT, 8	1	1						

Fig.13. LIFTING

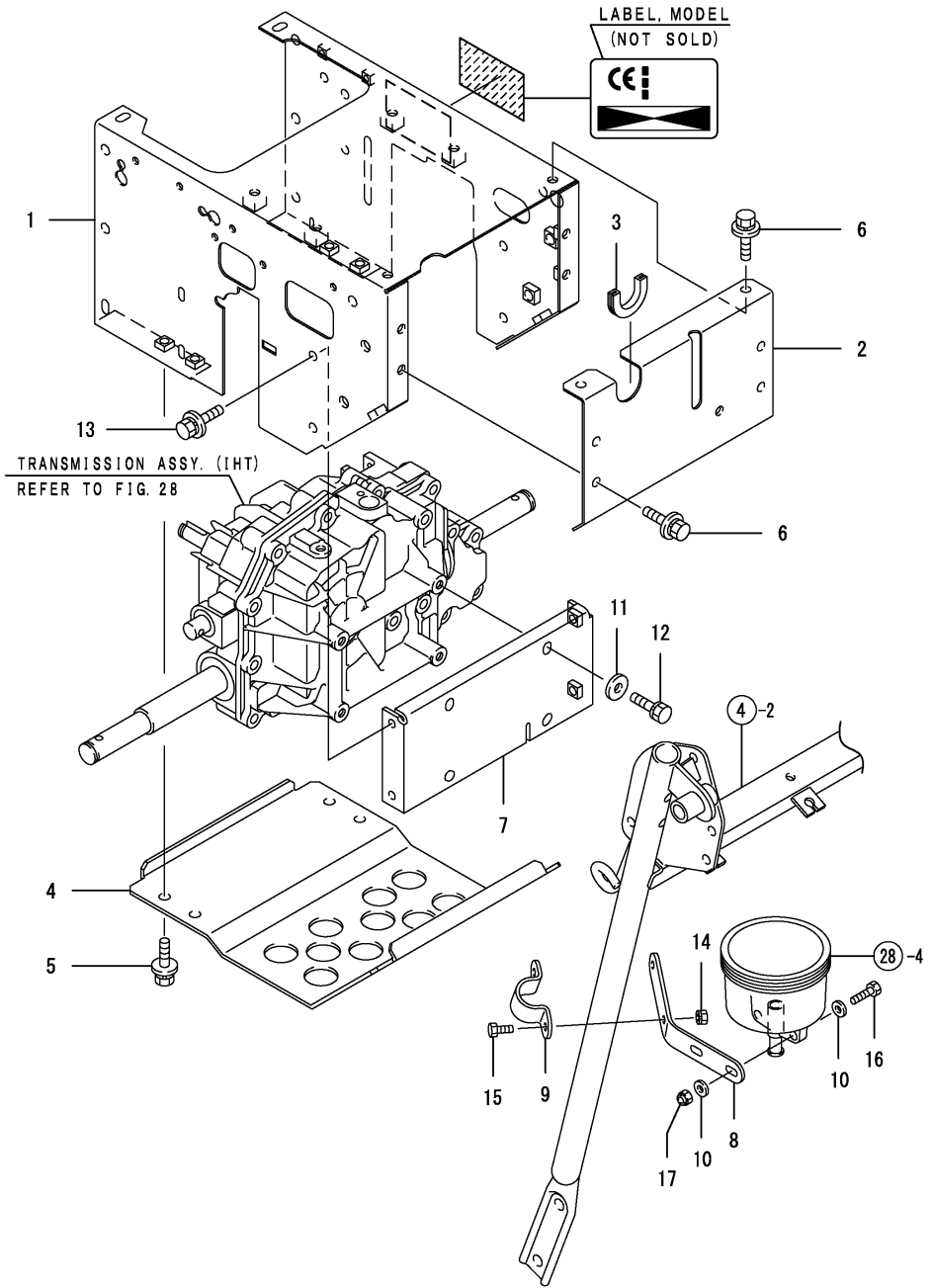


(A)=YSR70H(-CH)
 (B)=YSR70H-S(CH)
 (C)=

(D)=
 (E)=
 (F)=

REF.	LEV.	PARTS NO.	DESCRIPTION	QTY						I	R
				(A)	(B)	(C)	(D)	(E)	(F)		
1	1	1N3390-35000	LEVER,LIFT	1	1						
2	1	1N3390-35060	PLATE	1	1						
3	1	1N3390-35100-1	PLATE,STOPPER	1	1						
4	1	1N3360-35150	LIFT SPRING	1	1						
5	1	1N3390-35150	SPRING,15X70	1	1						
6	1	1N3360-35160	STAY(LIFT SPRING	1	1						
7	1	1N3390-35250	WIRE,LIFTING	1	1						
8	1	1N3405-35300-1	SUPPORT, LIFTING	1	1						
9	1	1N3390-35400	COLLER,GUIDE	1	1						
10	1	1N3331-35420-1	COLLAR, 8.4X12X6.2	1	1						
11	1	1N3390-35450	COVER,LIFT	1	1						
12	1	1N3400-35500	SHAFT,IDLER	1	1						
13	1	22137-080000	WASHER 8, POLISHED	8	8						
14	1	22137-080000	WASHER 8, POLISHED	1	1						
15	1	22157-060000	WASHER 6	1	1						
16	1	22157-080000	WASHER 8	2	2						
17	1	22157-080000	WASHER 8	2	2						
18	1	22217-060000	SPRING WASHER 6	1	1						
19	1	22217-080000	SPRING WASHER 8	2	2						
20	1	22272-000060	CIRCLIP E- 6	1	1						
21	1	22417-160100	PIN, 1.6 X 10	1	1						
22	1	22417-200160	COTTER PIN 2.0X16	3	3						
23	1	22487-060160	PIN 6X 16	1	1						
24	1	22487-080120	PIN 8X 12	1	1						
25	1	22487-080160	PIN 8X 16	2	2						
26	1	26018-080202	BOLT M 8X 20	3	3						
27	1	26051-080002	NUT M 8	8	8						
28	1	26116-080202	BOLT M 8X 20 PLATED	8	8						
29	1	26116-080252	BOLT M 8X 25 PLATED	2	2						
30	1	26117-060122	BOLT, 6 X 12	1	1						
31	1	26347-080002	U-NUT, 8	2	2						
32	1	26557-060252	SCREW M 6X 25	2	2						

Fig.14. CHASSIS FRAME



(A)=YSR70H(-CH)
 (B)=YSR70H-S(CH)
 (C)=

(D)=
 (E)=
 (F)=

REF.	LEV.	PARTS NO.	DESCRIPTION	QTY						I	R
				(A)	(B)	(C)	(D)	(E)	(F)		
1	1	1N3800-36000	CHASSIS,	1	1						
2	1	1N3336-36100-1	CHASSIS, REAR	1	1						
3	1	1N3021-36130	GROMMET	1	1						
4	1	1N3360-36200-1	CHASSIS BOTTOM	1	1						
5	1	26018-080164	BOLT, 8 X 16	6	6						
6	1	26018-080204	BOLT, 8 X 20	4	4						
7	1	1N3021-36401-1	BRACKET, TRANSM.MTG.	1	1						
8	1	1N3360-36600-1	STAY, TANK	1	1						
9	1	1N3360-36650-1	MOUNT, STAY	1	1						
10	1	22137-060000	WASHER 6, POLISHED	4	4						
11	1	22157-080000	WASHER 8	4	4						
12	1	26016-080202	BOLT M 8X 20	4	4						
13	1	26018-080202	BOLT M 8X 20	4	4						
14	1	26051-060002	NUT M 6	2	2						
15	1	26117-060162	BOLT, 6 X 16	2	2						
16	1	26117-060252	BOLT, 6 X 25	2	2						
17	1	26347-060002	U-NUT, 6	2	2						

Fig.15. BELT & GEAR COVER

(A)=YSR70H(-CH)
 (B)=YSR70H-S(CH)
 (C)=

(D)=
 (E)=
 (F)=

REF.	LEV.	PARTS NO.	DESCRIPTION	Q'TY						I	R
				(A)	(B)	(C)	(D)	(E)	(F)		
1	1	7N3800-37000	PL.ASSY.,BELT COVER	1	1						
2	1	26018-060124	BOLT, 6 X 12	4	4						
3	1	1N3021-37150-1	COVER,CHANGE ROD	1	1						
4	1	26018-060124	BOLT, 6 X 12	2	2						

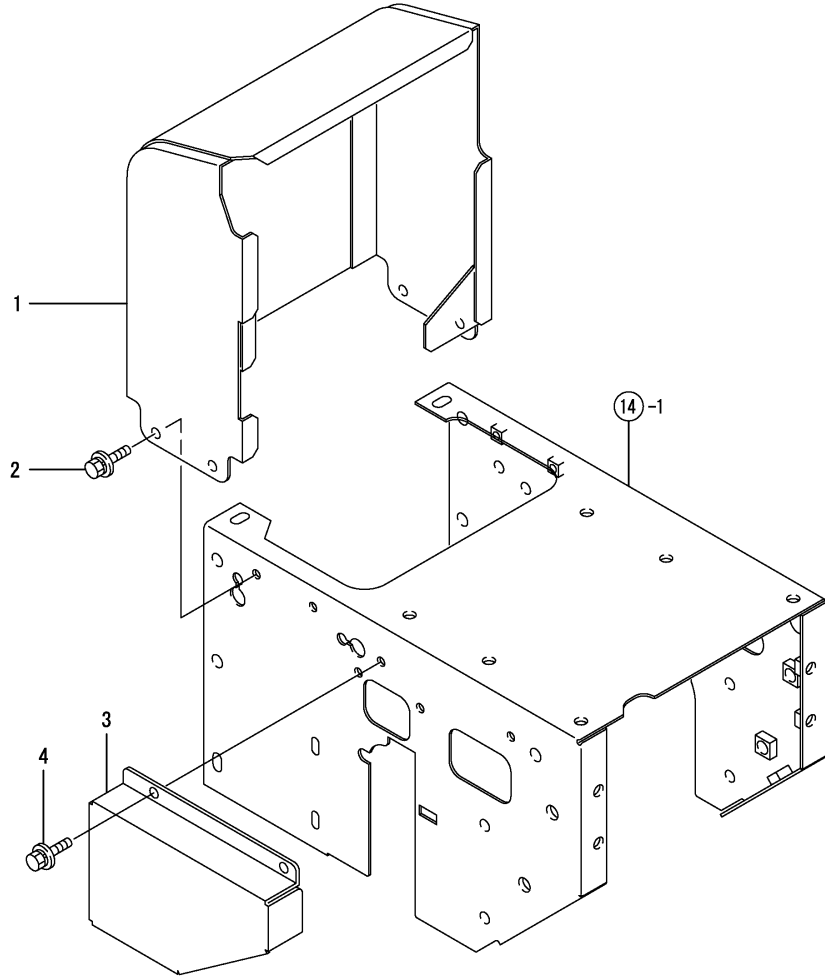
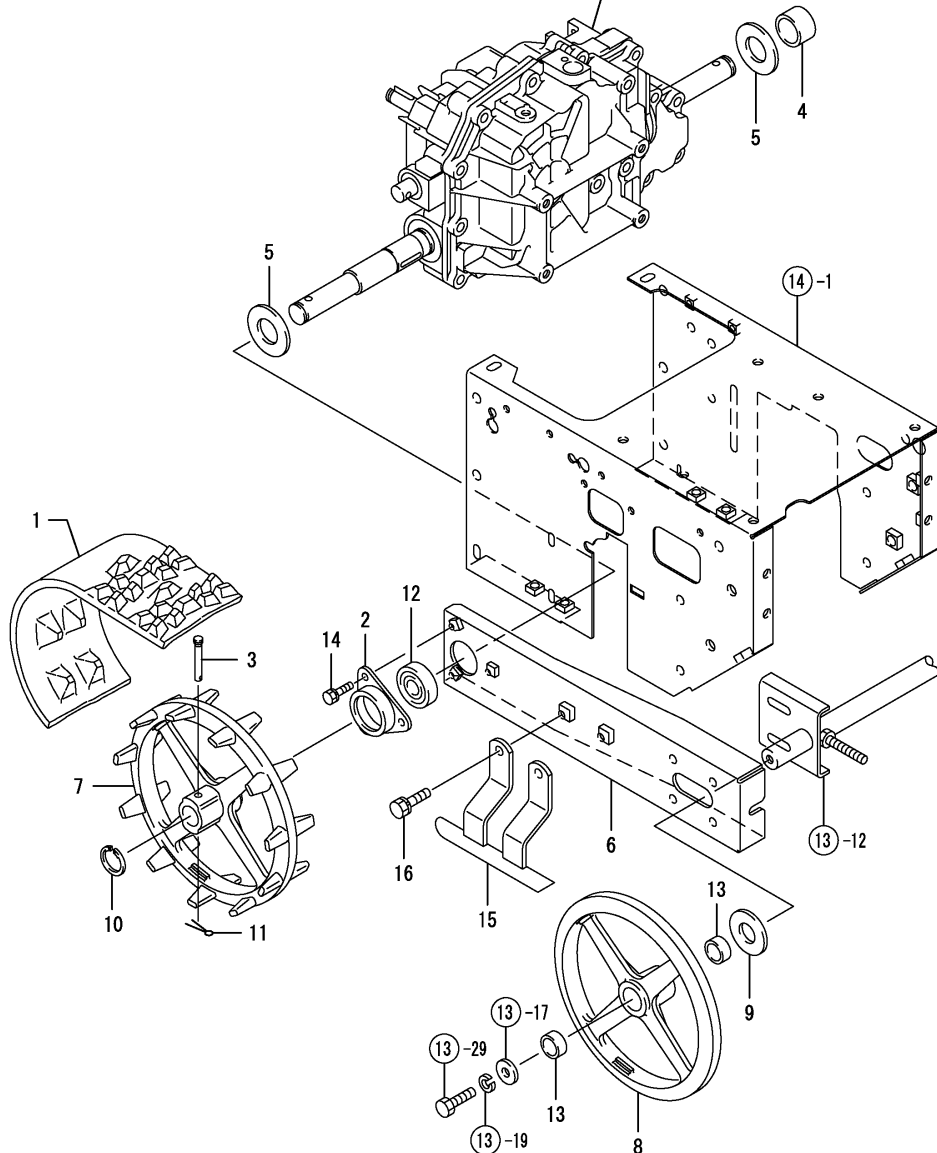


Fig.16. CRAWLER

(A)=YSR70H(-CH)
 (B)=YSR70H-S(CH)
 (C)=

(D)=
 (E)=
 (F)=

TRANSMISSION ASSY. (IHT)
 REFER TO FIG. 28

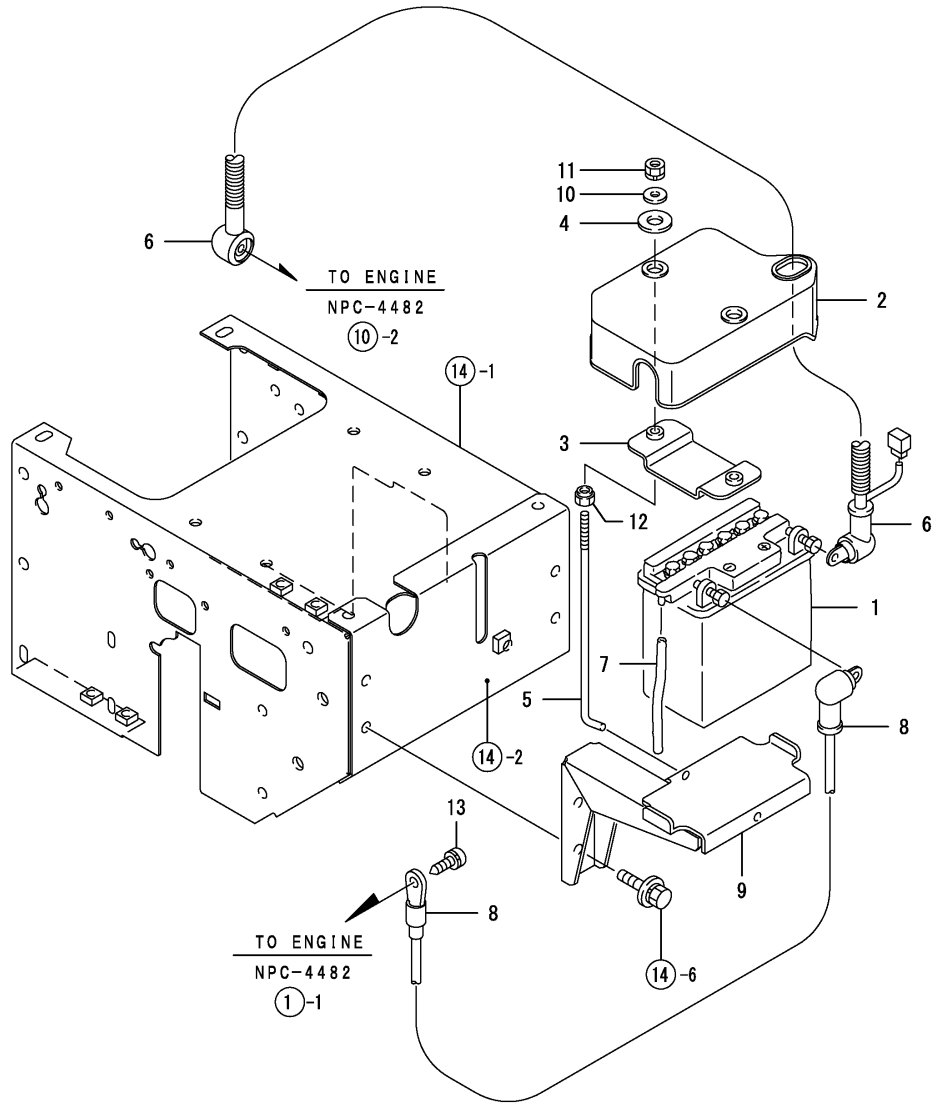


REF.	LEV.	PARTS NO.	DESCRIPTION	QTY						I	R
				(A)	(B)	(C)	(D)	(E)	(F)		
1	1	1N3360-38000	CRAWLER	2	2						
2	1	1N3300-25100	JOINT 6004	2	2						
3	1	1N3021-38101	PIN,AXLE	2	2						
4	1	1N3021-38150	COLLAR 16X32X19	1	1						
5	1	1N3021-38170	WASHER,SEAL PROTECT.	2	2						
6	1	1N3390-38200-1	FRAME,CRAWLER	2	2						
7	1	1N3021-38500-1	SPROCKET 11	2	2						
8	1	1N3021-38600-1	WHEEL	2	2						
9	1	22137-200000	WASHER 20,POLISHED	2	2						
10	1	22292-000200	CIRCLIP S-20	2	2						
11	1	22417-200120	PIN, 2.0 X 12	2	2						
12	1	24104-060044	BALL BEARING	2	2						
13	1	24550-020100	BUSH	4	4						
14	1	26016-060162	BOLT M 6X 16	6	6						
15	1	1N3370-38500-1	GUIDE,CRAWLER	2	2						
16	1	26016-080202	BOLT M 8X 20	4	4						

Fig.17. BATTERY

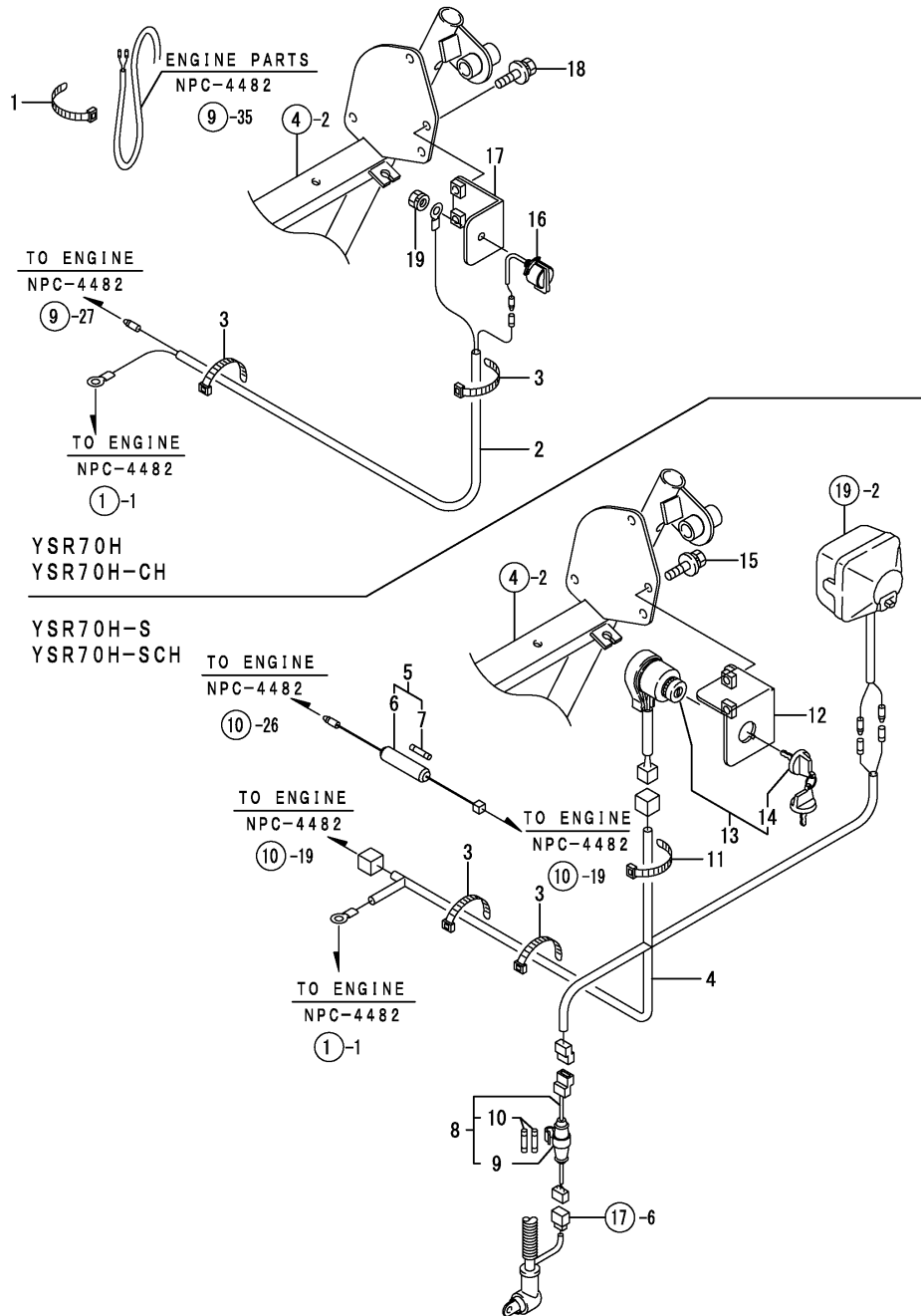
(A)=YSR70H(-CH)
 (B)=YSR70H-S(CH)
 (C)=

(D)=
 (E)=
 (F)=



REF.	LEV.	PARTS NO.	DESCRIPTION	QTY						I	R
				(A)	(B)	(C)	(D)	(E)	(F)		
1	1	1N3300-51010	BATTERY YB12AL-A		1						
2	1	1N3360-51100	COVER,BATTERY		1						
3	1	1N3360-51150-1	PLATE,KEEP,BATTERY		1						
4	1	1N3360-51170	RUBBER,KEEP,BATTERY		2						
5	1	1N3360-51200	SHAFT,KEEP,BATTERY		2						
6	1	1N3360-51300	CABLE,BATTERY(+)		1						
7	1	1N1710-51350	PIPE,VINYL		1						
8	1	1N3360-51350	CABLE,BATTERY(-)		1						
9	1	1N3360-51500-1	BATTERY STAND		1						
10	1	22157-060000	WASHER 6		2						
11	1	26051-060002	NUT M 6		2						
12	1	26347-060002	U-NUT, 6		2						
13	1	26476-060162	BOLT M 6X 16		1						

Fig.18. HARNESS & SWITCH



(A)=YSR70H(-CH)
(B)=YSR70H-S(CH)
(C)=

(D)=
(E)=
(F)=

REF.	LEV.	PARTS NO.	DESCRIPTION	QTY						I	R
				(A)	(B)	(C)	(D)	(E)	(F)		
1	1	1J3999-07000	BAND 100B	1							
2	1	1N3300-51400	HARNESS (T	1							
3	1	1E6102-84970	BAND 140	2	3						
4	1	1N3360-51410	HARNESS TS		1						
5	1	1N3330-51450	HARNESS,FUSE ASY		1						
6	2	1N3330-51460	HARNESS,FUSE		1						
7	2	29411-050000	FUSE (5A),CARTRIDGE		1						
8	1	1N3021-51550	HOLDER ASSY.,FUSE		1						
9	2	1N3021-51560	HOLDER, FUSE		1						
10	2	29411-200000	FUSE (20A),CARTRIDGE		2						
11	1	1E6102-84960	CABLE BAND 250		1						
12	1	1N3300-51552-1	SEAT, SWITCH TS		1						
13	1	1N3021-52300	SWITCH ASSY.,KEY		1						
14	2	160797-77270	KEY, REVERSE		1						
15	1	26018-080164	BOLT, 8 X 16		2						
16	1	1A1470-40900	SWITCH,STOP		1						
17	1	1N3300-51451-1	SEAT,SWICH T		1						
18	1	26018-080164	BOLT, 8 X 16		2						
19	1	26051-080002	NUT M 8		1						

Fig.19. LAMP

(A)=YSR70H(-CH)
 (B)=YSR70H-S(CH)
 (C)=

(D)=
 (E)=
 (F)=

REF.	LEV.	PARTS NO.	DESCRIPTION	Q'TY						I	R
				(A)	(B)	(C)	(D)	(E)	(F)		
1	1	1N3400-51450	STAY,LIGHT	1	1						
2	1	1N1711-51850	HEADLIGHT COMPL.	1	1						
3	2	1N1711-51860	LAMP 12V-15W G23	1	1						
4	1	26051-080002	NUT M 8	1	1						

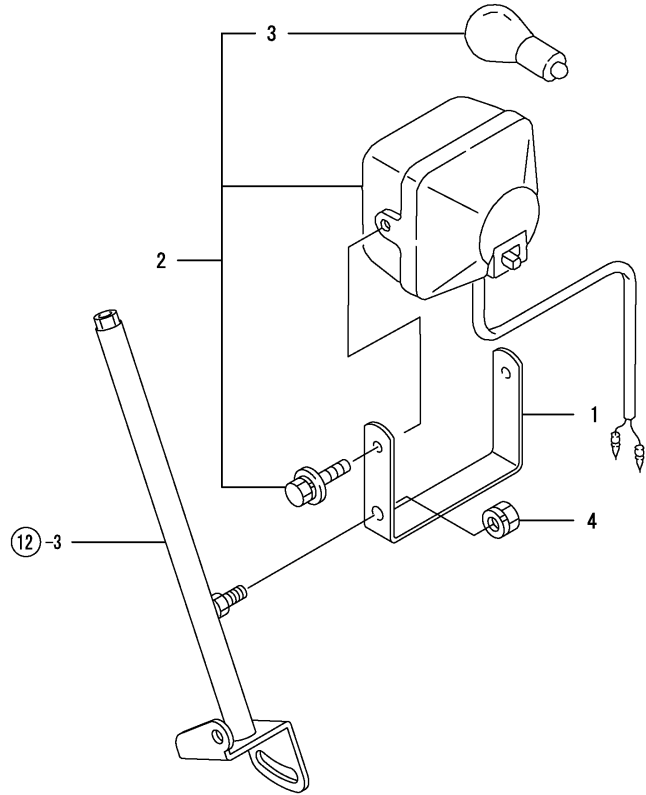
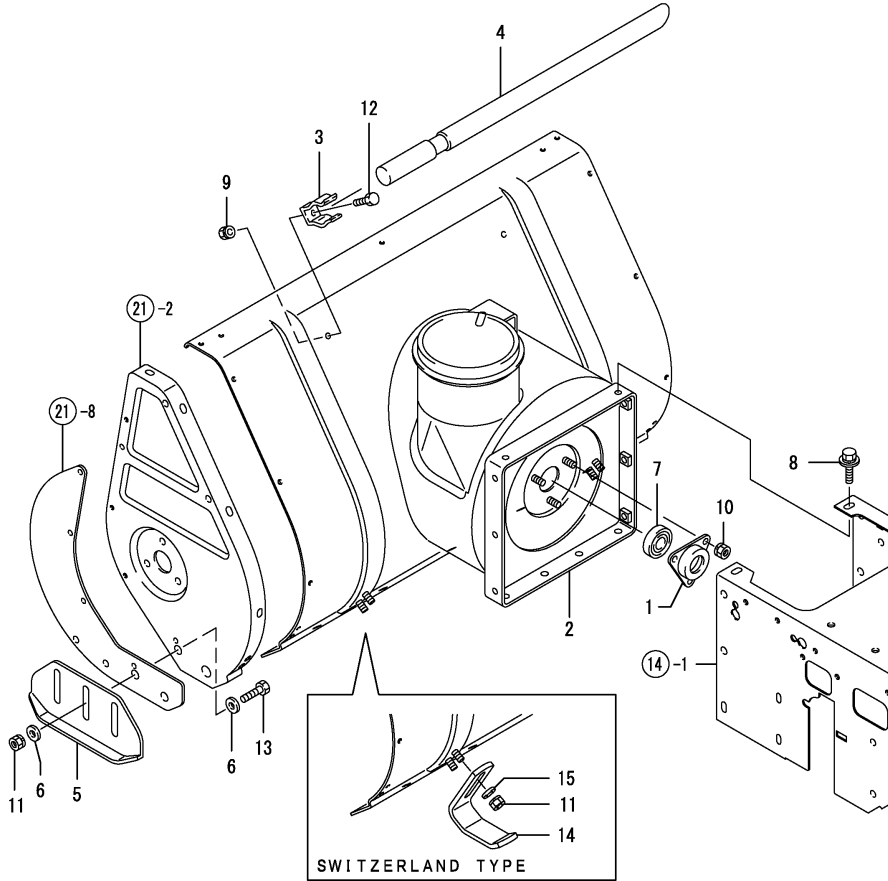


Fig.20. SNOW REMOVING FRAME

(A)=YSR70H(-CH)
 (B)=YSR70H-S(CH)
 (C)=

(D)=
 (E)=
 (F)=



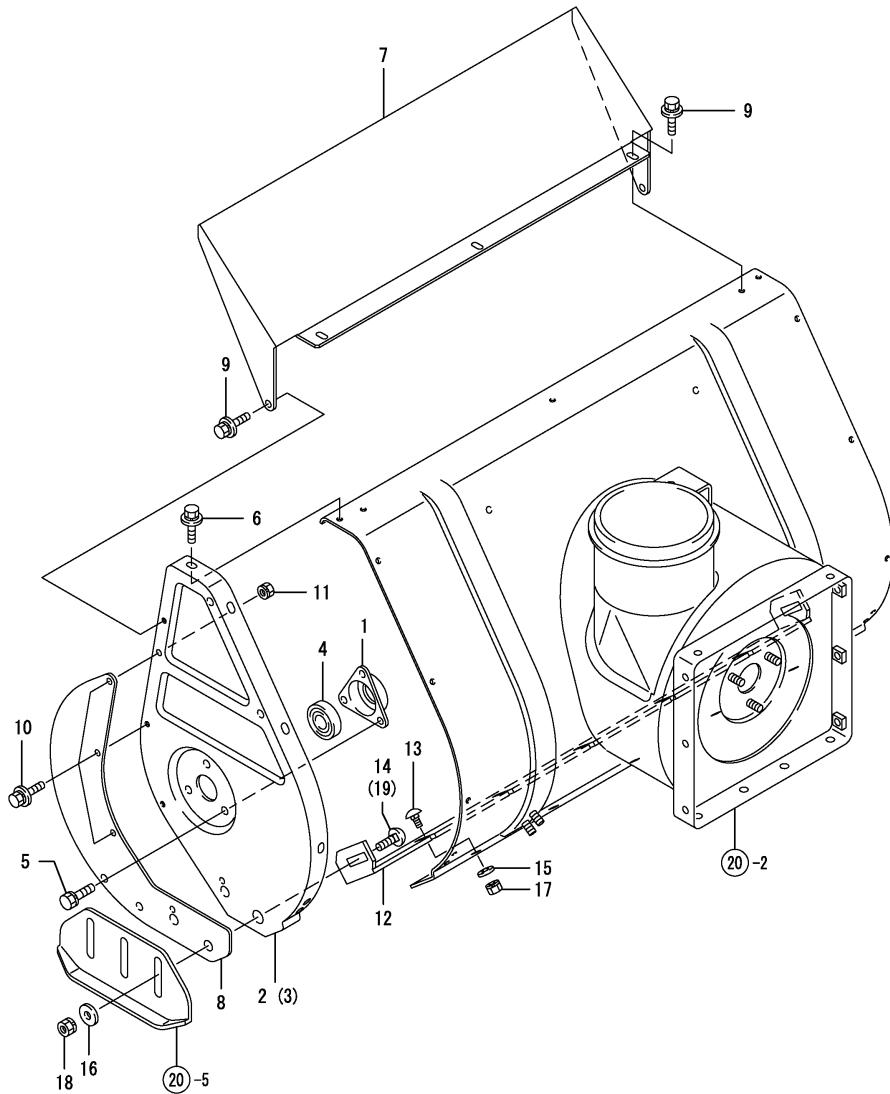
REF.	LEV.	PARTS NO.	DESCRIPTION	QTY						I	R
				(A)	(B)	(C)	(D)	(E)	(F)		
1	1	1N1570-38210	BEARING 6203B	1	1						
2	1	1N3360-71000	FRAME,SNOW REMOVING	1	1						
3	1	1N1710-71062	STOPPER	2	2						
4	1	1N1710-71072	ROD,SNOW SHOVELING	1	1						
5	1	1N3300-71401-1	SLEDGE	2	2						2
6	1	22137-080000	WASHER 8, POLISHED	8	8						2
7	1	24104-062034	BALL BEARING	1	1						
8	1	26018-080162	BOLT M 8 X 16	8	8						
9	1	26051-060002	NUT M 6	2	2						
10	1	26051-080002	NUT M 8	3	3						
11	1	26051-080002	NUT M 8	4	4						
12	1	26117-060122	BOLT, 6 X 12	2	2						
13	1	26117-080202	BOLT, 8 X 20	4	4						2
14	1	1N3330-71400-1	SLEDGE	2	2						1
15	1	22137-080000	WASHER 8, POLISHED	4	4						1

Remarks
 (1) FOR TYPE SWITZERLAND
 (2) NOT USED FOR SWITZERLAND TYPE

Fig.21. AUGER COVER

(A)=YSR70H(-CH)
 (B)=YSR70H-S(CH)
 (C)=

(D)=
 (E)=
 (F)=



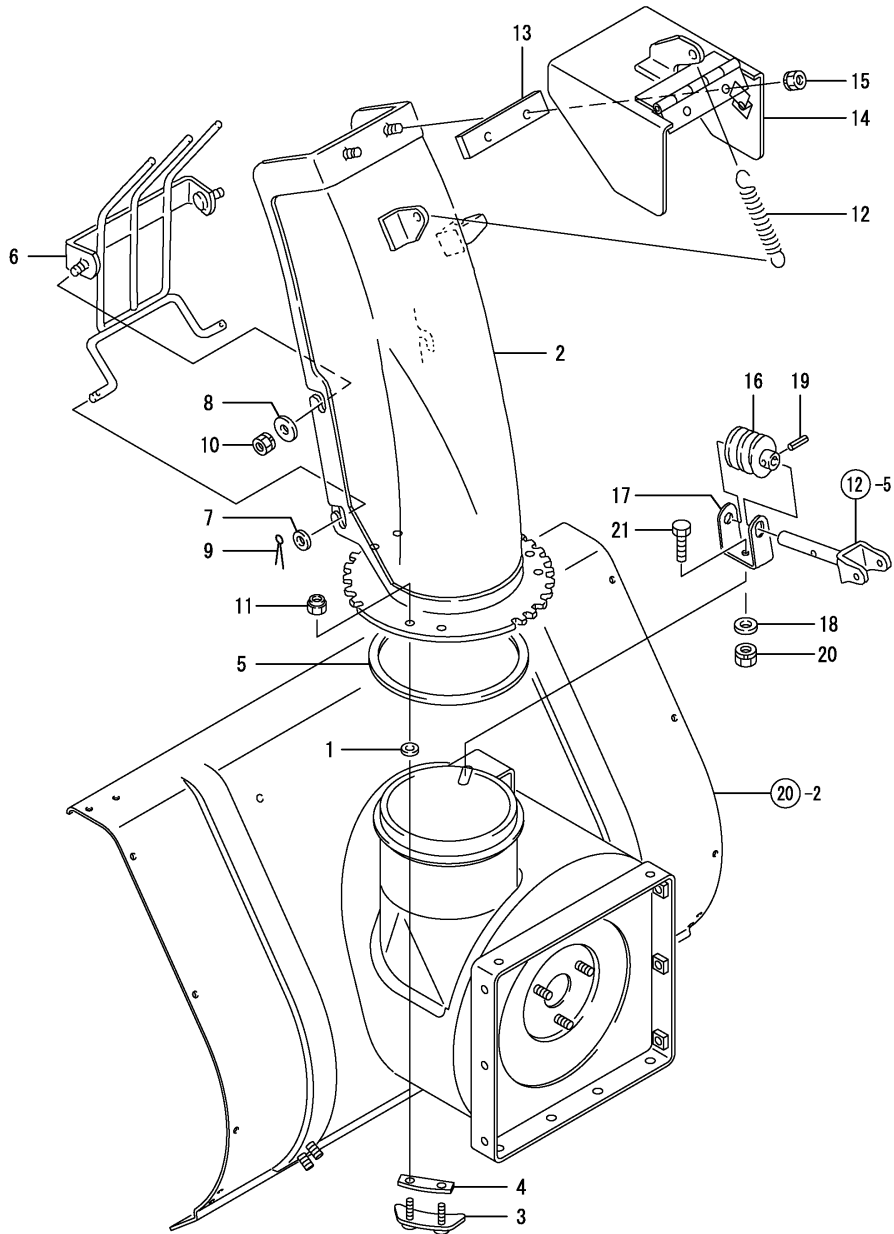
REF.	LEV.	PARTS NO.	DESCRIPTION	QTY						I	R
				(A)	(B)	(C)	(D)	(E)	(F)		
1	1	1N1570-38200	BEARING 6203C	2	2						
2	1	1N3310-71200	PLATE L,AUGER SIDE	1	1						
3	1	1N3310-71250	PLATE R,AUGER SIDE	1	1						
4	1	24104-062034	BALL BEARING	2	2						
5	1	26016-080164	BOLT, 8 X 16	6	6						
6	1	26018-060124	BOLT, 6 X 12	12	12						
7	1	7N3810-71500	PL.ASSY,CASE COVER	1	1						
8	1	1N3310-71551	COVER, AUGER SIDE 7W	2	2						
9	1	26018-060124	BOLT, 6 X 12	5	5						
10	1	26018-060124	BOLT, 6 X 12	6	6						
11	1	26717-060002	NUT, 6	2	2						
12	1	1N3310-71301-1	PLATE,BOTTOM(650	1	1						
13	1	1N3300-71320	BOLT	5	5						
14	1	1N3300-71330	BOLT	2	2						2
15	1	22137-060000	WASHER 6, POLISHED	5	5						
16	1	22157-080000	WASHER 8	2	2						
17	1	26051-060002	NUT M 6	5	5						
18	1	26051-080002	NUT M 8	2	2						
19	1	1N3020-71320	BOLT, 8X20	2	2						1

Remarks
 (1) FOR TYPE SWITZERLAND
 (2) NOT USED FOR SWITZERLAND TYPE

Fig.22. CHUTE

(A)=YSR70H(-CH)
 (B)=YSR70H-S(CH)
 (C)=

(D)=
 (E)=
 (F)=



REF.	LEV.	PARTS NO.	DESCRIPTION	QTY						I	R
				(A)	(B)	(C)	(D)	(E)	(F)		
1	1	1J3999-02160	WASHER	6	6						
2	1	7N3390-73000	PL.ASSY,CHUTE	1	1						
3	1	1N3021-73201	FIXTURE A,SHOOTER	3	3						
4	1	1N1711-73240	SPACER	3	3						
5	1	1N1711-73280	PLATE,FLOOR	1	1						
6	1	1N1960-73502	GUARD	1	1						
7	1	22137-060000	WASHER 6, POLISHED	2	2						
8	1	22157-060000	WASHER 6	2	2						
9	1	22417-200120	PIN, 2.0 X 12	2	2						
10	1	26051-060002	NUT M 6	2	2						
11	1	26347-060002	U-NUT, 6	6	6						
12	1	1N1570-73150	SPRING,CHUTE	1	1						
13	1	1N1711-73170	RUBBER,SNOW PROTECT.	1	1						
14	1	1N3300-73202-1	DEFLECTOR, CHUTE 9W	1	1						
15	1	26051-060002	NUT M 6	2	2						
16	1	1N3390-73300	WORM,3X3L	1	1						
17	1	1N3390-73350	BEAKING,WORM	1	1						
18	1	22137-080000	WASHER 8, POLISHED	1	1						
19	1	22351-050020	SPRING PIN 5X20	1	1						
20	1	26051-080002	NUT M 8	1	1						
21	1	26117-080162	BOLT, 8 X 16	1	1						

Fig.23. GEAR CASE

(A)=YSR70H(-CH)
 (B)=YSR70H-S(CH)
 (C)=

(D)=
 (E)=
 (F)=

REF.	LEV.	PARTS NO.	DESCRIPTION	Q'TY						I	R
				(A)	(B)	(C)	(D)	(E)	(F)		
1	1	1N1710-74002-1	CASE,GEAR	1	1						
2	1	1N1711-74000	BOLT,DRAIN	1	1						
3	1	1N1710-74012-1	COVER C,SNAP-IN	1	1						
4	1	1N1711-74010	PACKING 20X28X2,CU	1	1						
I	4-1	22190-200000	SEAL WASHER 20(BOLT)	1	1						N
		(A=F010603) (B=F010603)									
5	1	1N1570-74050	PACKING C	1	1						
6	1	1N1570-74110-1	COVER A,KEEP	1	1						
7	1	1N1570-74120	PACKING A	1	1						
8	1	1N1570-74130-1	COVER B,KEEP	1	1						
9	1	1N1570-74140	PACKING B	1	1						
10	1	26016-060202	BOLT M 6X 20	10	10						
11	1	1N3331-74100	SHAFT, WORM	1	1						
12	1	24107-060044	BALL BEARING	1	1						
13	1	24107-062024	BALL BEARING	1	1						
14	1	24421-203508	SEAL, OIL	1	1						
15	1	1N1710-74021	WHEEL,WORM	1	1						
16	1	1N3400-74200	SHAFT,AUGER	1	1						
17	1	22550-050300	KEY 5X30	1	1						
18	1	24101-060044	BALL BEARING #6004	2	2						
19	1	24421-203508	SEAL, OIL	2	2						

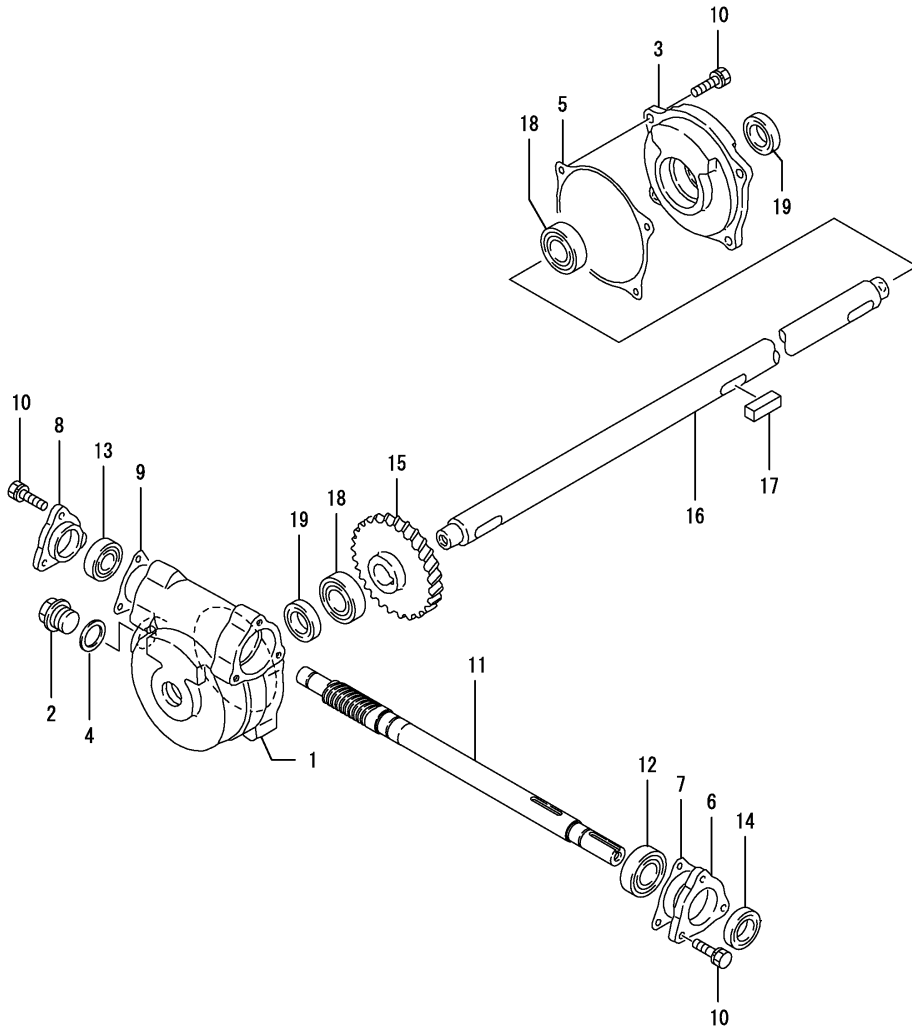
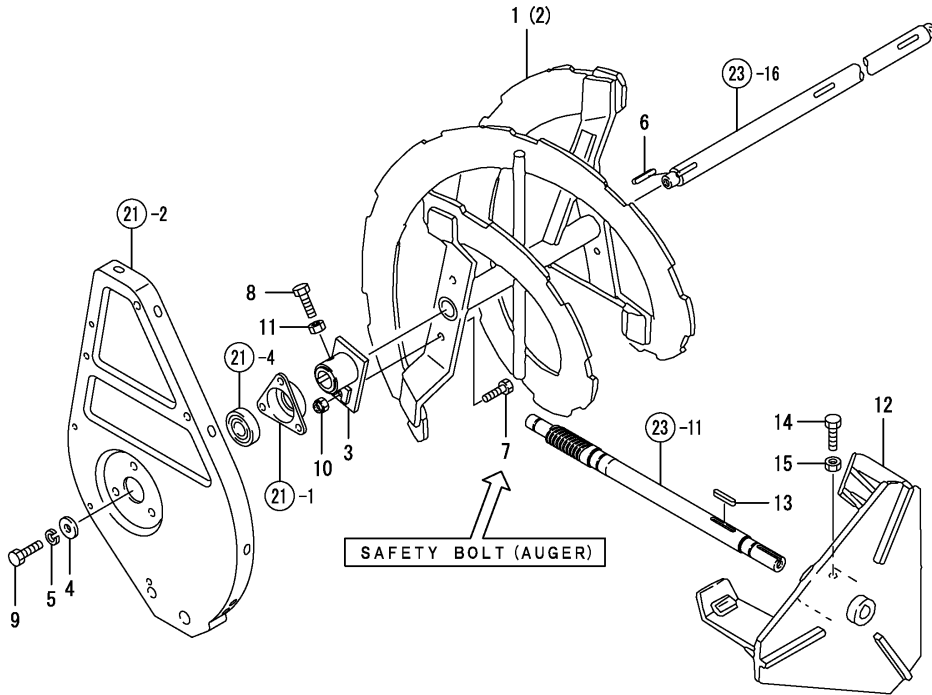


Fig.24. AUGER & BLOWER

(A)=YSR70H(-CH)
(B)=YSR70H-S(CH)
(C)=

(D)=
(E)=
(F)=

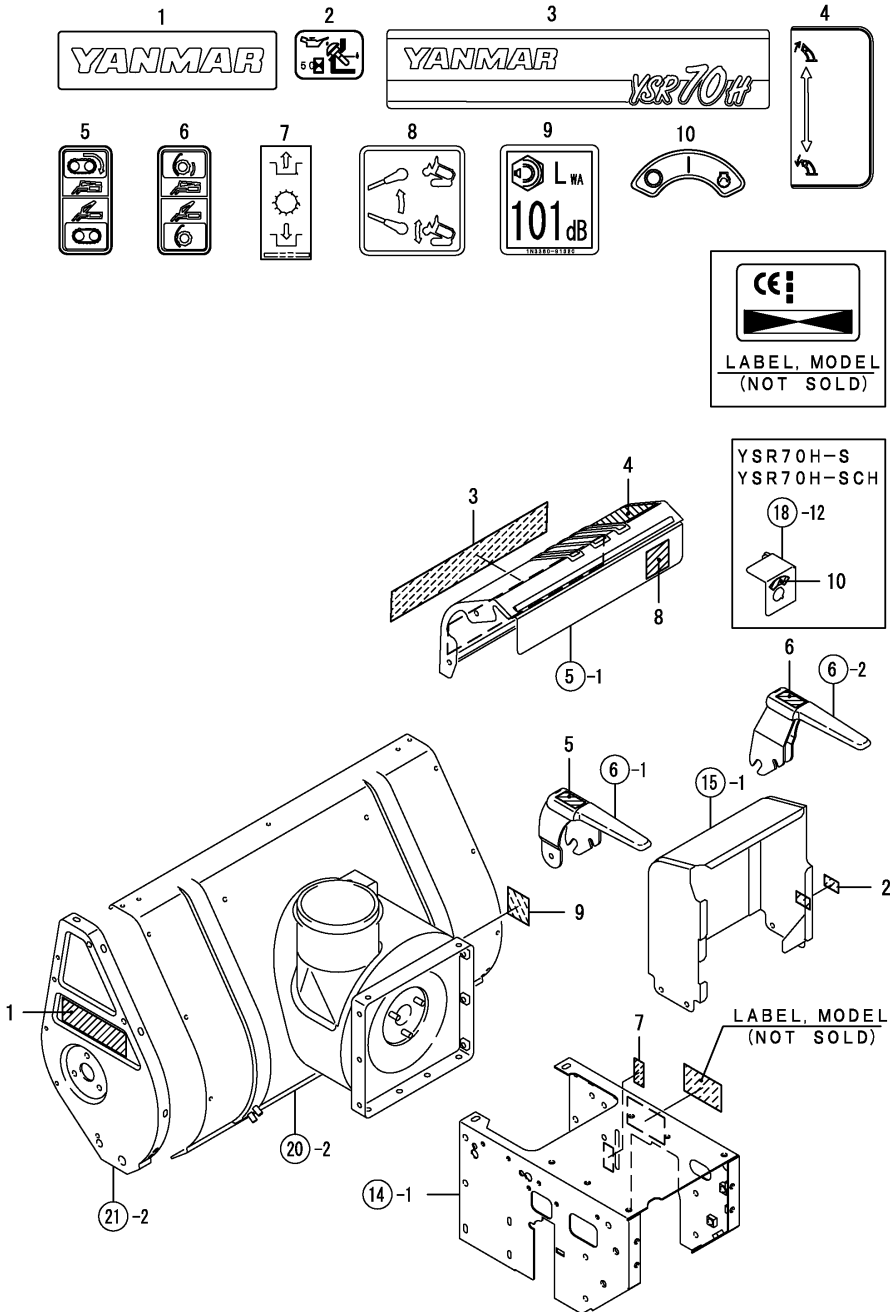


REF.	LEV.	PARTS NO.	DESCRIPTION	QTY						I	R
				(A)	(B)	(C)	(D)	(E)	(F)		
1	1	1N3330-75000-1	AUGER L	1	1						
2	1	1N3330-75100-1	AUGER R	1	1						
3	1	1N3330-75200-1	FLANGE,AUGER	2	2						
4	1	22157-080000	WASHER 8	2	2						
5	1	22217-080000	SPRING WASHER 8	2	2						
6	1	22550-050300	KEY 5X30	2	2						
7	1	26116-060202	BOLT M 6X 20	2	2						
8	1	26116-080162	BOLT 8X16	2	2						
9	1	26116-080252	BOLT M 8X 25 PLATED	2	2						
10	1	26347-060002	U-NUT M 6	2	2						
11	1	26717-080002	NUT 8	2	2						
12	1	1N1711-76001-1	BLOWER COMPL.	1	1						
13	1	22550-050300	KEY 5X30	1	1						
14	1	26116-080202	BOLT M 8X 20 PLATED	1	1						
15	1	26717-080002	NUT 8	1	1						

Fig.25. LABELS

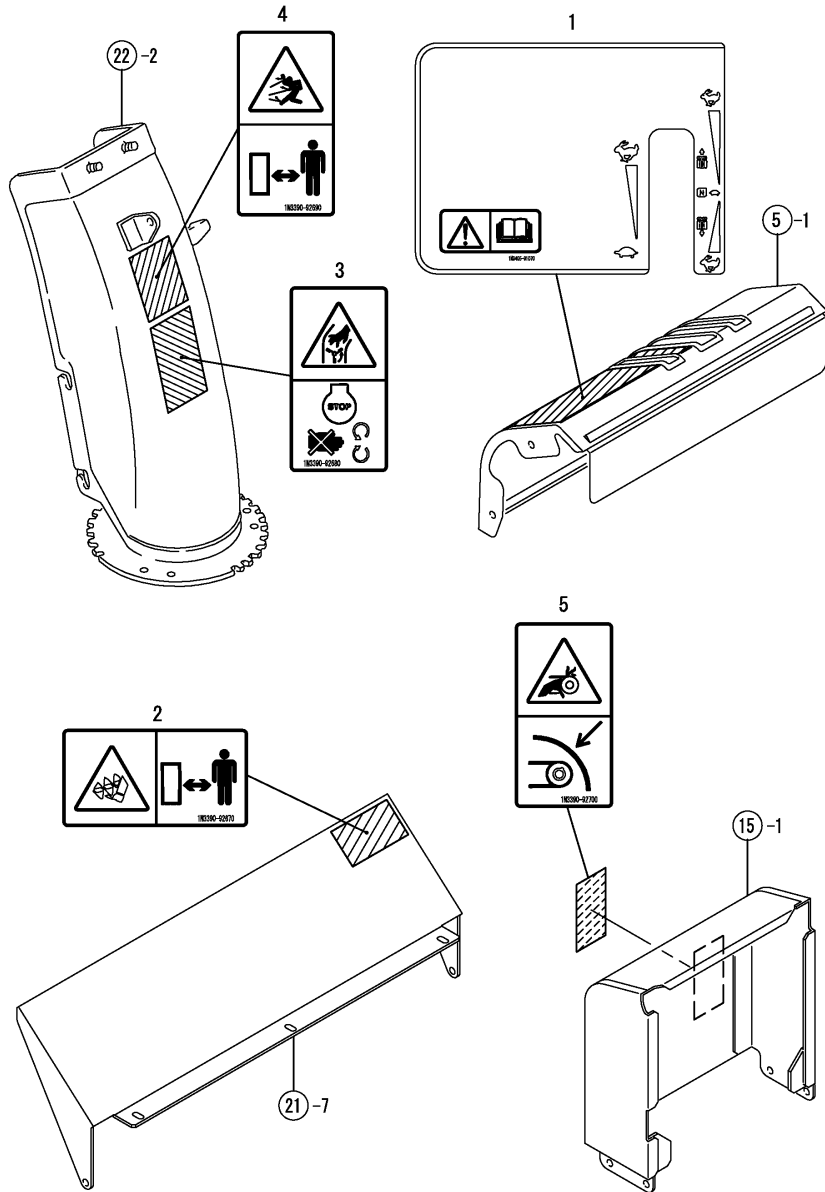
(A)=YSR70H(-CH)
 (B)=YSR70H-S(CH)
 (C)=

(D)=
 (E)=
 (F)=



REF.	LEV.	PARTS NO.	DESCRIPTION	QTY						I	R
				(A)	(B)	(C)	(D)	(E)	(F)		
1	1	1N1711-68190	MARK C "YANMAR"	2	2						
2	1	1N1711-68220	MARK,OIL CHECK	1	1						
3	1	1N3800-91050	MARK, MODEL	1	1						
4	1	1N3390-91080	MARK	1	1						
5	1	1N3021-91100	MARK,TRAVEL CLUTCH	1	1						
6	1	1N3021-91110	MARK,SNOW REM.CLUTCH	1	1						
7	1	1N3405-91250	MARK	1	1						
8	1	1N3390-91300	MARK	1	1						
9	1	1N3360-91320	LABEL,SOUND LEBEL	1	1						
10	1	1N3390-91090	MARK,SWITCH		1						

Fig.26. LABELS (SAFETY)



0CNP4-G47900 26. LABELS (SAFETY)

(A)=YSR70H(-CH)
 (B)=YSR70H-S(CH)
 (C)=

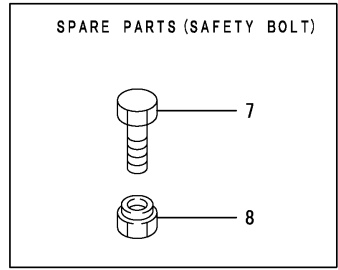
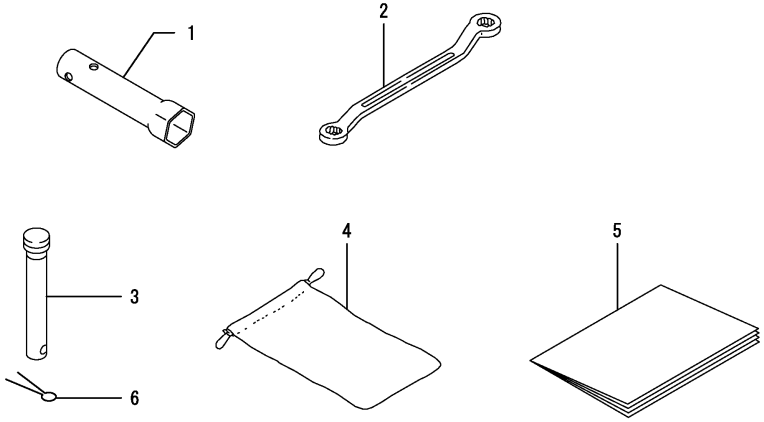
(D)=
 (E)=
 (F)=

REF.	LEV.	PARTS NO.	DESCRIPTION	QTY						I	R
				(A)	(B)	(C)	(D)	(E)	(F)		
1	1	1N3405-91070	LABEL,CAUTION	1	1						
2	1	1N3390-92670	LABEL,DANGER	1	1						
3	1	1N3390-92680	LABEL,WARNING	1	1						
4	1	1N3390-92690	LABEL,WARNING	1	1						
5	1	1N3390-92700	LABEL,CAUTION	1	1						

Fig.27. TOOLS & ACCESSORIES

(A)=YSR70H(-CH)
 (B)=YSR70H-S(CH)
 (C)=

(D)=
 (E)=
 (F)=



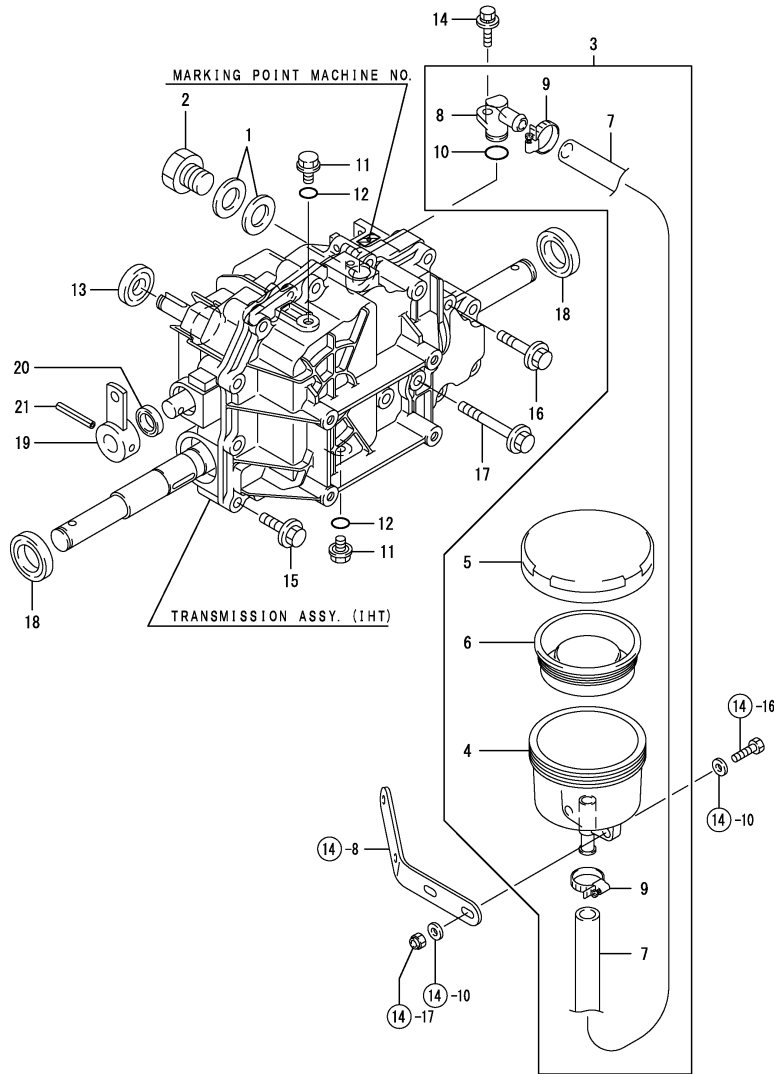
REF.	LEV.	PARTS NO.	DESCRIPTION	QTY						I	R
				(A)	(B)	(C)	(D)	(E)	(F)		
1	1	160120-92700	SPANNER, BOX	1	1						
2	1	28160-100120	WRENCH 10X12	1	1						
3	1	1N3021-38101	PIN,AXLE	2	2						
4	1	1F1150-92000	BAG,TOOL	1	1						
5	1	1N3360-96100	MANUAL	1	1						
6	1	22417-200120	PIN, 2.0 X 12	2	2						
7	1	26116-060202	BOLT M 6X 20	10	10						1
8	1	26347-060002	U-NUT, 6	10	10						1

Remarks
 (1) IT IS A SPARE PART FOR SAFETY BOLT, GROUP NO.24, REF. NO.7.

Fig.28. TRANSMISSION

(A)=YSR70H(-CH)
 (B)=YSR70H-S(CH)
 (C)=

(D)=
 (E)=
 (F)=



REF.	LEV.	PARTS NO.	DESCRIPTION	Q'TY						I	R
				(A)	(B)	(C)	(D)	(E)	(F)		
1	1	23414-200026	GASKET 20	2	2						
2	1	23887-200002	PLUG 20, HEX.	1	1						
3	1	1N3021-23040	SUB TANK KIT	1	1						
4	2	1N3021-23051	SUB TANK	1	1						
5	2	1N3021-23060	CAP, SUB-TANK	1	1						
6	2	1N3021-23070	DIAPHRAGM,SUB-TANK	1	1						
7	2	1N3021-23100	OIL HOSE	1	1						
8	2	194856-24920	ELBOW	1	1						
9	2	194856-24970	HOSE CLAMP 25	2	2						
10	2	24311-000140	O-RING 1A P-14.0	1	1						
11	1	23491-080002	PLUG 8	2	2						
12	1	24311-000090	O-RING 1A P-9.0	2	2						
13	1	24421-153507	SEAL TC15 35 07, OIL	1	1						
14	1	26018-060162	BOLT M6X16	1	1						
15	1	26476-080302	BOLT M 8X 30	14	14						
16	1	26476-080402	TAPPING,SCREW 8* 40	1	1						
17	1	26476-080652	TAPPING SCREW 8*65	3	3						
18	1	24421-254208	SEAL TC25 42 08, OIL	2	2						
19	1	1N3021-26050	LEVER ASSY, CONTROL	1	1						
20	1	194065-27270	SEAL TC16 26 6, OIL	1	1						
21	1	22351-060040	SPRING PIN 6X40	1	1						

Remarks

NOTE: A MACHINE IN WHICH THE TRANSMISSION UNIT IS PUT INTO EFFECT BEARS THE STAMPED NUMBER TO INDICATE THIS GROUP NO.

*P/#7N3021-20030, TRANSMISSION (IHT) ASSY.

(PARTS OTHER THAN THOSE ILLUSTRATED CAN NOT BE DISASSEMBLED.)

Part Number Index

All parts are stipulated in the order of part numbers.

(Depending on the area in which the part is used.)

This index will display the location of the part according to each part number.

PARTS No. INDEX

PARTS No.	Fig.	Ref.No.
160120-92700	27	1
160797-77270	18	14
194065-27270	28	20
194080-58820	1	10
194273-47910	1	24
194856-24920	28	8
194856-24970	28	9
1A1140-58050	11	6
1A1470-40900	18	16
1C1011-45020	7	20
1C6320-64680	8	6
	11	7
1C6560-92610	10	3
1E4760-43090	9	7
		8
1E6102-84960	18	11
1E6102-84970	18	3
1E6570-64760	8	7
1E6740-64200	9	10
1E7030-51301-1	2	10
1F1150-92000	27	4
1F5300-43300	12	11
1J3999-02010	1	8
	10	1
1J3999-02160	22	1
1J3999-06000	7	12
1J3999-07000	7	1
	11	1
	18	1
1N1570-32950	9	6
1N1570-38200	21	1
1N1570-38210	20	1
1N1570-51130	1	25
1N1570-73150	22	12
1N1570-74050	23	5
1N1570-74110-1	23	6
1N1570-74120	23	7
1N1570-74130-1	23	8
1N1570-74140	23	9
1N1710-32600	1	9
	7	7
1N1710-51350	17	7
1N1710-71062	20	3
1N1710-71072	20	4
1N1710-74002-1	23	1
1N1710-74012-1	23	3
1N1710-74021	23	15
1N1710-82140	4	3
1N1711-35520	12	10
1N1711-51850	19	2

PARTS No.	Fig.	Ref.No.
1N1711-51860	19	3
1N1711-68190	25	1
1N1711-68220	25	2
1N1711-73170	22	13
1N1711-73240	22	4
1N1711-73280	22	5
1N1711-74000	23	2
1N1711-74010	23	4
1N1711-76001-1	24	12
1N1713-00040-1	1	1
1N1713-00080-1	1	2
1N1713-00170	1	4
1N1723-32350	8	5
	11	2
1N1960-73502	22	6
1N3020-71320	21	19
1N3021-00250	1	6
1N3021-11260	2	5
1N3021-12020-1	3	4
1N3021-12300-1	3	5
1N3021-23040	28	3
1N3021-23051	28	4
1N3021-23060	28	5
1N3021-23070	28	6
1N3021-23100	28	7
1N3021-26050	28	19
1N3021-31451	7	15
1N3021-31480	7	16
1N3021-31580	2	9
	7	18
1N3021-32381-1	9	5
1N3021-33601	10	2
1N3021-34390	12	2
1N3021-34710	12	8
1N3021-34720	12	9
1N3021-36130	14	3
1N3021-36401-1	14	7
1N3021-37150-1	15	3
1N3021-38101	16	3
	27	3
1N3021-38150	16	4
1N3021-38170	16	5
1N3021-38500-1	16	7
1N3021-38600-1	16	8
1N3021-51550	18	8
1N3021-51560	18	9
1N3021-52300	18	13
1N3021-73201	22	3
1N3021-91100	25	5
1N3021-91110	25	6

PARTS No.	Fig.	Ref.No.
1N3260-73250	12	12
1N3300-11260	2	6
1N3300-12010-1	3	10
1N3300-25100	16	2
1N3300-31400	7	14
1N3300-31500	7	17
1N3300-34201	11	5
1N3300-51010	17	1
1N3300-51400	18	2
1N3300-51451-1	18	17
1N3300-51552-1	18	12
1N3300-71320	21	13
1N3300-71330	21	14
1N3300-71401-1	20	5
1N3300-73202-1	22	14
1N3310-02150	1	23
1N3310-71200	21	2
1N3310-71250	21	3
1N3310-71301-1	21	12
1N3310-71551	21	8
1N3320-71290	6	3
1N3330-00100-1	1	3
1N3330-11250	2	4
1N3330-12300	3	12
1N3330-31350	7	13
1N3330-32090	8	3
1N3330-34651	12	6
1N3330-34700	12	7
1N3330-51450	18	5
1N3330-51460	18	6
1N3330-71400-1	20	14
1N3330-75000-1	24	1
1N3330-75100-1	24	2
1N3330-75200-1	24	3
1N3331-31650	7	6
1N3331-34050	11	4
1N3331-35420-1	13	10
1N3331-74100	23	11
1N3335-11000-1	2	1
1N3335-11080	2	2
1N3335-11100-1	2	3
1N3335-11300-1	2	7
1N3335-11400-1	2	8
1N3335-12000-1	3	1
1N3335-12101-1	3	2
1N3335-12200-1	3	11
1N3335-32050	8	2
1N3335-32090-1	8	4
1N3335-32200	9	1
1N3335-32350	9	4

PARTS No.	Fig.	Ref.No.
1N3336-36100-1	14	2
1N3360-00200-1	1	5
1N3360-32000	8	1
1N3360-35150	13	4
1N3360-35160	13	6
1N3360-36200-1	14	4
1N3360-36600-1	14	8
1N3360-36650-1	14	9
1N3360-38000	16	1
1N3360-51100	17	2
1N3360-51150-1	17	3
1N3360-51170	17	4
1N3360-51200	17	5
1N3360-51300	17	6
1N3360-51350	17	8
1N3360-51410	18	4
1N3360-51500-1	17	9
1N3360-71000	20	2
1N3360-91320	25	9
1N3360-96100	27	5
1N3370-31200	7	2
1N3370-31300	7	3
1N3370-31450	7	4
1N3370-31601	7	5
1N3370-31700-1	7	19
1N3370-32200	9	2
1N3370-32300-1	9	3
1N3370-32400-1	8	12
1N3370-34000	11	3
1N3370-38500-1	16	15
1N3390-02100-1	1	22
1N3390-30000-1	4	1
1N3390-31000-1	6	1
1N3390-31050-1	6	2
1N3390-32100	8	11
1N3390-34350	12	1
1N3390-34500	12	3
1N3390-34530	12	4
1N3390-34600	12	5
1N3390-35000	13	1
1N3390-35060	13	2
1N3390-35100-1	13	3
1N3390-35150	13	5
1N3390-35250	13	7
1N3390-35400	13	9
1N3390-35450	13	11
1N3390-38200-1	16	6
1N3390-73300	22	16
1N3390-73350	22	17
1N3390-91080	25	4

MODEL : YSR70H
PC NO : 0CNP4-G47900

PARTS No. INDEX

PARTS No.	Fig.	Ref.No.
1N3390-91090	25	10
1N3390-91300	25	8
1N3390-92670	26	2
1N3390-92680	26	3
1N3390-92690	26	4
1N3390-92700	26	5
1N3400-30100	4	2
1N3400-35500	13	12
1N3400-51450	19	1
1N3400-74200	23	16
1N3405-35300-1	13	8
1N3405-91070	26	1
1N3405-91250	25	7
1N3800-36000	14	1
1N3800-91050	25	3
1S6240-61430	9	9
1S9050-01430	1	7
7N3390-73000	22	2
7N3405-30290-1	5	1
7N3800-37000	15	1
7N3810-71500	21	7

PARTS No.	Fig.	Ref.No.
-----------	------	---------

PARTS No.	Fig.	Ref.No.
-----------	------	---------

PARTS No.	Fig.	Ref.No.
-----------	------	---------



YANMAR CO., LTD.